

Product data sheet

Characteristics

ABL8BPK24A07

battery control module, phaseo ABL7 ABL8,
24V DC, 40A, 7AH



Main

Range of Product	Phaseo
Product or Component Type	Battery module
Battery Capacity	7 Ah

Complementary

Input voltage limits	21...29 V
Charging time	72 h
Load current	0.7 A
Self-discharge rate	9 %, 3 months 3 %, 1 month 15 %, 6 months
Output coupling	Parallel
Operating altitude	6561.68 ft (2000 m)
Marking	CE
Net Weight	14.33 lb(US) (6.5 kg)

Environment

Product Certifications	CTP[RETURN]JUL
Ambient Air Temperature for Operation	32...104 °F (0...40 °C)
Ambient Air Temperature for Storage	-4...122 °F (-20...50 °C)

Ordering and shipping details

Category	22525-ABL8 AND ABL7 POWER SUPPLIE
Discount Schedule	CP12
GTIN	3389118312210
Returnability	No
Country of origin	FR

Packing Units

Unit Type of Package 1	PCE
Number of Units in Package 1	1
Package 1 Height	7.68 in (19.500 cm)
Package 1 Width	7.87 in (20.000 cm)
Package 1 Length	10.43 in (26.500 cm)
Package 1 Weight	13.61 lb(US) (6.173 kg)
Unit Type of Package 2	S06
Number of Units in Package 2	12
Package 2 Height	29.53 in (75.000 cm)
Package 2 Width	23.62 in (60.000 cm)

Package 2 Length	31.50 in (80.000 cm)
Package 2 Weight	192.48 lb(US) (87.308 kg)

Offer Sustainability

California proposition 65	WARNING: This product can expose you to chemicals including: Lead and lead compounds, which is known to the State of California to cause cancer and birth defects or other reproductive harm. For more information go to www.P65Warnings.ca.gov
REACH Regulation	REACH Declaration
EU RoHS Directive	Not applicable, out of EU RoHS legal scope
China RoHS Regulation	China RoHS Declaration
Environmental Disclosure	Product Environmental Profile
Circularity Profile	End Of Life Information
PVC free	Yes

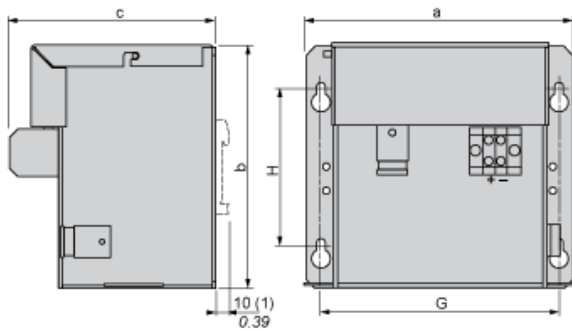
Contractual warranty

Warranty	18 months
----------	-----------

24 Vdc Battery Module

Dimensions

mm
inch

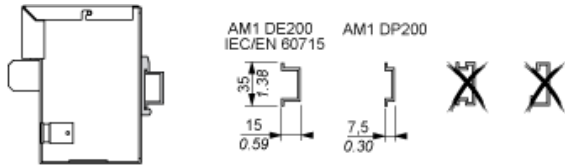


ABL	a	b	c	G	H
8BPK24A03	184/7.24	138,5/5.45	131	156/6.14	83/3.27
8BPK24A07	170/6.69	155,5/6.12	131	152/5.98	100/3.94
8BPK24A12	236/9.29	155,5/6.12	131	218/3.94	100/3.94

(1) ABL8BPK24A03 (with kit ABL1A02)

24 Vdc Battery Module

Mounting



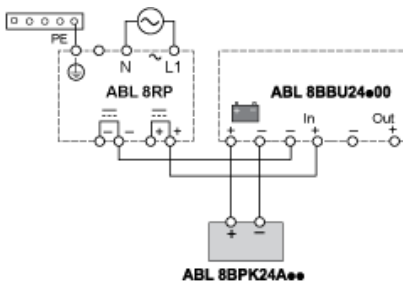
Wiring Requirements

Cable Types and Wire Sizes

	ABL 8BPK24A00 6 / 10	ABL 8BBU24200 10 / 6
	Nm 1,7 Nm max lb-in 15	

24 Vdc Battery Module Wiring

Wiring Diagram



Paralleling 2 x ABL8PK24A00

Wiring Diagram

