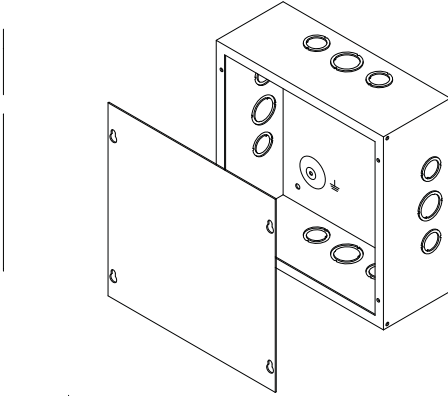


# BEL DUKO/DKO & D Series

## EEMAC / NEMA 1 Screw Cover Boxes



### TECHNICAL READOUT

Catalog No.	Dimensions (box)			Knockouts faces		Weight lbs. bottom
	A	B	C	1 & 2	3 & 4	
DUKO444	4	4	4	1a	1a	3
DUKO663	6	6	3	1a/1b	2a	3
DUKO664	6	6	4	2a/1b	2a	4
DUKO666	6	6	6	1a/1b	2a	4
DUKO884	8	8	4	2a/1b	2a/1b	5
DUKO886	8	8	6	2a/1b	2a/1b	6
DUKO888	8	8	8	2a/1b	2a/1b	5
DUKO10104	10	10	4	2a/1b	2a/1b	7
DUKO10106	10	10	6	2a/1b	2a/1b	8
DUKO12124	12	12	4	2a/1b	2a/1b	9
DUKO12126	12	12	6	2a/1b	2a/1b	10
DUKO16164	16	16	4	2a/3b	2a/3b	13
DUKO16166	16	16	6	2a/3b	2a/3b	15
DUKO18184	18	18	4	2a/3b	2a/3b	16
DUKO18186	18	18	6	2a/3b	2a/3b	20
DUKO18188	18	18	8	2a/3b	2a/3b	22
DUKO181812	18	18	12	2a/3b	2a/3b	28
DUKO24244	24	24	4	2a/3b	2a/3b	34
DKO24246	24	24	6	2a/3b	2a/3b	40
DKO16168	16	16	8	2a/3b	2a/3b	18
D16168				No Ko's		
DKO202010	20	20	10	2a/3b	2a/3b	39
D202010				No Ko's		
DKO24248	24	24	8	2a/3b	2a/3b	43
D24248				No Ko's		
DKO242410	24	24	10	2a/3b	2a/3b	50
D242410				No Ko's		

**Knockouts (Conduit Size): a = 1/2" - 3/4" • b = 3/4" - 1"**

**Note:** This product is a universal enclosure. It can be used with either a hinged or a screw-on cover.

### Application:

Type 1 surface or flush mounted enclosure generally used as a junction box, switch box or general service box. Screw-on cover may be switched for a screw-hinged cover (standard on EUKO model)

### Construction:

- 16, 14 gauge steel
- Pre-punched side holes to accommodate screw-hinged cover
- With knockouts (DUKO/DKO) or without (D)
- Mounting holes on back
- Two grounding emboss on sizes up to and including 24246; pre-punched grounding holes on larger sizes
- Grounding screw provided with each model
- ANSI/ASA61 grey polyester - epoxy textured powder coating inside out
- Specify "F" for flush mounting (i.e. DFUKO663)

### TECHNICAL READOUT

Catalog No.	Dimensions (box)			Knockouts faces		Weight lbs. bottom
	A	B	C	1 & 2	3 & 4	
DKO242412	24	24	12	2a/3b	2a/3b	54
D242412				No Ko's		
DKO30210	30	20	10	3a/4b	2a/3b	52
D302010				No Ko's		
DKO30246	30	24	6	3a/4b	2a/3b	60
D30246				No Ko's		
DKO30306	30	30	6	4a/3b	4a/3b	64
D30306				No Ko's		
DKO30308	30	30	8	4a/3b	4a/3b	67
D30308				No Ko's		
DKO303010	30	30	10	3a/4b	3a/4b	69
D303010				No Ko's		
DKO362410	36	24	10	4a/5b	2a/3b	67
D362410				No Ko's		
DKO36366	36	36	6	4a/5b	4a/5b	70
D36366				No Ko's		
DKO36368	36	36	8	4a/5b	4a/5b	74
D36368				No Ko's		
DKO363610	36	36	10	4a/5b	4a/5b	80
D363610				No Ko's		
DKO363612	36	36	12	4a/5b	4a/5b	81
D363612				No Ko's		
DKO484812	48	48	12	6a/7b	6a/7b	128
D484812				No Ko's		



**Standards:**  
 • CSA certified 150359  
 • UL listed E109311

**BEL Products Inc.**

Technical specifications subject to change without notice. 06/2009