



Main

Range of product	Modicon Momentum automation platform
Product or component type	Analogue input base
Analogue input number	8
Analogue input type	Differential
Analogue input range	+/- 20 mA 14 bits + sign 250 kOhm 4...20 mA 15 bits + sign 250 kOhm +/- 10 V 14 bits + sign > 0.1 kOhm +/- 5 V 14 bits + sign > 0.1 kOhm 1...5 V 15 bits + sign > 0.1 kOhm

Complementary

Data format	Full 16 bits signed
Absolute accuracy error	+/- 0.13 % full scale 77 °F (25 °C) +/- 20 mA +/- 0.19 % full scale 140 °F (60 °C) +/- 20 mA +/- 0.21 % full scale 77 °F (25 °C) +/- 5 V +/- 0.26 % full scale 140 °F (60 °C) +/- 5 V +/- 0.27 % full scale 77 °F (25 °C) +/- 10 V +/- 0.27 % full scale 77 °F (25 °C) 1...5 V +/- 0.32 % full scale 77 °F (25 °C) 4...20 mA +/- 0.32 % full scale 140 °F (60 °C) +/- 10 V +/- 0.38 % full scale 140 °F (60 °C) 1...5 V +/- 0.41 % full scale 140 °F (60 °C) 4...20 mA
Conversion time	12 ms 8
Isolation between channels	+/- 200 V DC for 1 minute
Isolation between channels and ground	500 V AC for 1 minute
Isolation between channels and bus	500 V for 1 minute
Permissible common mode voltage	100 V 47...63 Hz DC between channels to ground 250 V 47...63 Hz AC between channels to ground
Common mode rejection	> 80 dB between channels to ground
External power requirement	< 382 mA DC 20.4...28.8 V DC 24 V DC
Reverse polarity protection	Internal
Marking	CE
Local signalling	Channel status 8 LEDs
Electrical connection	2 connectors for removable terminal blocks
Depth	1.87 in (47.5 mm)
Height	4.92 in (125 mm)
Maximum Width	5.57 in (141.5 mm)
Net Weight	0.47 lb(US) (0.215 kg)

The information provided in this documentation contains general descriptions and/or technical characteristics of the performance of the products contained herein. This documentation is not intended as a substitute for and is not to be used for determining suitability or reliability of these products for specific user applications. It is the duty of any such user or integrator to perform the appropriate and complete risk analysis, evaluation and testing of the products with respect to the relevant specific application or use thereof. Neither Schneider Electric Industries SAS nor any of its affiliates or subsidiaries shall be responsible or liable for misuse of the information contained herein.

Environment

Standards	IEC 1131 EN 50081-2
Product certifications	FM Class 1 Division 2 UL CSA
Protective treatment	TC Conformal coating Humiseal 1A33
Resistance to electrostatic discharge	4 KV contact IEC 801-2 8 kV on air IEC 801-2
Resistance to electromagnetic fields	10 V/m 80...1000 MHz conforming to IEC 801-3
Ambient air temperature for operation	32...140 °F (0...60 °C)
Ambient air temperature for storage	-40...185 °F (-40...85 °C)
Relative humidity	95 % without condensation
Operating altitude	<= 16404.2 ft (5000 m)

Ordering and shipping details

Category	18206 - MOMENTUM PROCESSORS,I/O BASES,CONN.
Discount Schedule	PC31
GTIN	00785901810865
Nbr. of units in pkg.	1
Package weight(Lbs)	1 lb(US) (0.45 kg)
Returnability	No
Country of origin	ID

Packing Units

Package 1 Height	2.17 in (55.000 mm)
Package 1 width	7.09 in (180.000 mm)
Package 1 Length	10.24 in (260.000 mm)

Offer Sustainability

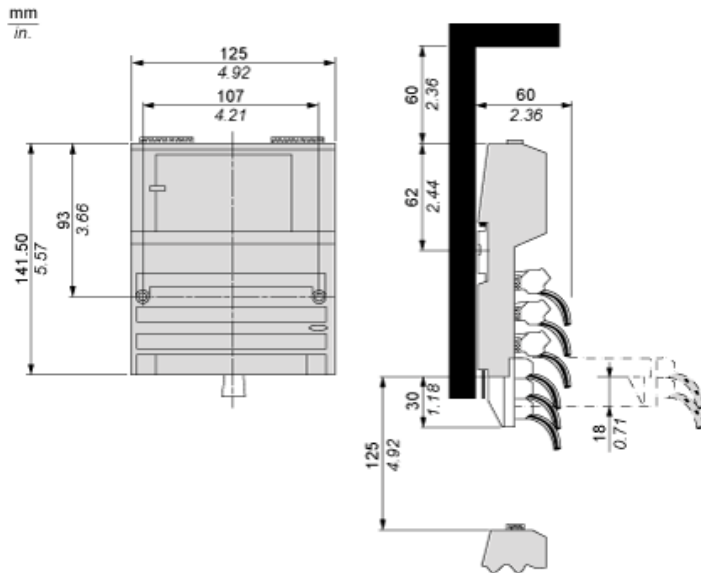
Sustainable offer status	Green Premium product
California proposition 65	WARNING: This product can expose you to chemicals including: Lead and lead compounds, which is known to the State of California to cause cancer and birth defects or other reproductive harm. For more information go to www.P65Warnings.ca.gov
REACH Regulation	REACH Declaration
EU RoHS Directive	Pro-active compliance (Product out of EU RoHS legal scope) EU RoHS Declaration
Mercury free	Yes
RoHS exemption information	Yes
China RoHS Regulation	China RoHS Declaration
Environmental Disclosure	Product Environmental Profile
Circularity Profile	End Of Life Information
WEEE	The product must be disposed on European Union markets following specific waste collection and never end up in rubbish bins.

Contractual warranty

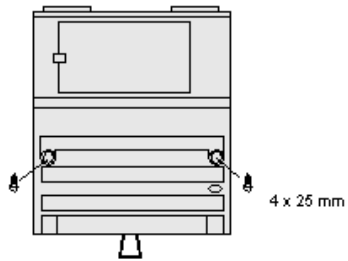
Warranty	18 months
----------	-----------

Standard Adapter on a Typical Base

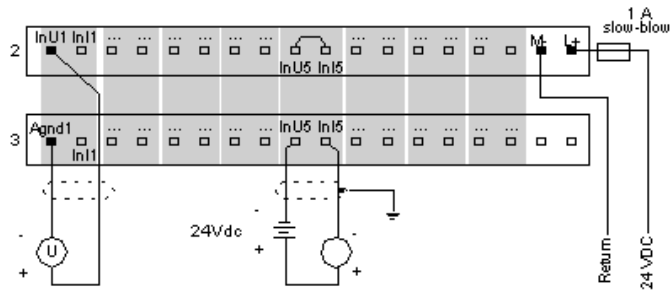
Dimensions



Mounting on a Wall



External Wiring Diagram



Examples

- * Channel 1, wired for voltage input
- * Channel 5, wired for current input

Internal Pin Connections

