



Main

Range of Product	Modicon MC80
Product or Component Type	Processor module
Product Specific Application	Thermo solar - parabolic through

Complementary

Product compatibility	BMXFTB20... terminal block analog input module BMXFTB28... terminal block discrete I/O module
[Us] rated supply voltage	24 V - 15...20 % DC
Current Consumption	<= 700 mA
Isolation voltage	1500 V DC
Memory description	Internal RAM 3840 kB Internal RAM 128 kB data Internal RAM 3590 kB program constants and symbols
Execution time per instruction	0.06 µs Boolean 0.08 µs mixed
Realtime clock	With
Function available	Memory retention without battery
Communication port protocol	1 non isolated serial link RJ45 RS485/RS232 0.3...19.2 kbit/s 247 1 CANopen SUB-D 9 20 kbit/s...1 Mbit/s 16 2 Ethernet RJ45 10/100 Mbit/s
Integrated connection type	USB port mini B USB
Port Ethernet	10BASE-T/100BASE-TX
Bus length	0.00...32.81 Ft (0...10 m) serial link non isolated 0.00...49.21 Ft (0...15 m) serial link non isolated 0.00...3280.84 Ft (0...1000 m) serial link isolated with external isolation tap 0.00...65.62 Ft (0...20 m) 1 Mbit/s CANopen 0.00...8202.10 Ft (0...2500 m) 20 kbit/s CANopen 0.00...328.08 ft (0...100 m) Ethernet
Communication service	Read/Write variables Modbus Diagnostics Modbus Send/Receive character string character mode Process Data Object (PDO) CANopen Service Data Object (SDO) CANopen FDR client Ethernet SNMP Ethernet RSTP support Ethernet
Discrete input number	8 positive logic (sink)
Discrete input type	Type 3
Discrete input current	2.4 mA
Discrete input voltage	19...30 V DC
Discrete output number	12 positive
Discrete output current	2 A per output 10 A per module
Discrete output voltage	19...30 V DC
Protection type	Overload protection output Short-circuit protection output

Analogue input number	4
Analogue input type	Current - 20...20 mA Voltage - 10...10 V
Fast read cycle time for analogue input	1.3 ms + 1.3 ms x number of channels used
Nominal read cycle time for analogue input	6.5 ms for 4 channels
Analogue input resolution	16 bits

Environment

Ambient Air Temperature for Operation	-13...158 °F (-25...70 °C)
Ambient Air Temperature for Storage	-40...185 °F (-40...85 °C)
Relative humidity	0...95 %
Vibration resistance	3 gn
Marking	CE
Standards	CSA C22.2 No 213 Class I Division 2 Group C CSA C22.2 No 213 Class I Division 2 Group D UL 508 IEC 61131-2 CSA C22.2 No 213 Class I Division 2 Group B CSA C22.2 No 142 CSA C22.2 No 213 Class I Division 2 Group A
Product Certifications	RCM

Ordering and shipping details

Category	18160-MODICON M340
Discount Schedule	PC34
GTIN	3606485432045
Returnability	Yes

Packing Units

Unit Type of Package 1	PCE
Number of Units in Package 1	1
Package 1 Height	5.67 in (14.4 cm)
Package 1 Width	4.65 in (11.8 cm)
Package 1 Length	10.71 in (27.2 cm)
Package 1 Weight	2.62 lb(US) (1.19 kg)
Unit Type of Package 2	S03
Number of Units in Package 2	6
Package 2 Height	11.81 in (30 cm)
Package 2 Width	11.81 in (30 cm)
Package 2 Length	15.75 in (40 cm)
Package 2 Weight	16713.26 lb(US) (7581 kg)
Unit Type of Package 3	P06
Number of Units in Package 3	48
Package 3 Height	27.56 in (70 cm)
Package 3 Width	23.62 in (60 cm)
Package 3 Length	31.50 in (80 cm)
Package 3 Weight	152445.37 lb(US) (69148 kg)

Offer Sustainability

California proposition 65	WARNING: This product can expose you to chemicals including: Lead and lead compounds, which is known to the State of California to cause cancer and birth defects or other reproductive harm. For more information go to www.P65Warnings.ca.gov
REACH Regulation	REACH Declaration
EU RoHS Directive	Pro-active compliance (Product out of EU RoHS legal scope)
Mercury free	Yes
China RoHS Regulation	China RoHS Declaration

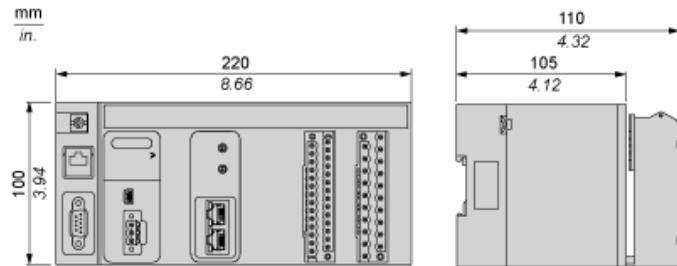
RoHS exemption information



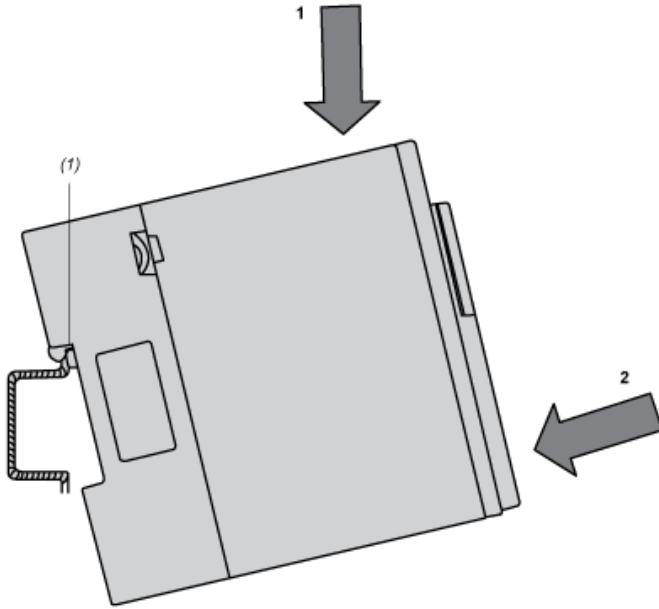
WEEE

The product must be disposed on European Union markets following specific waste collection and never end up in rubbish bins.

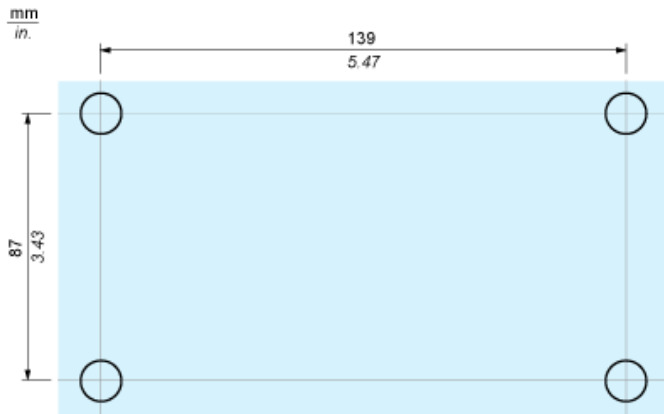
Dimensions



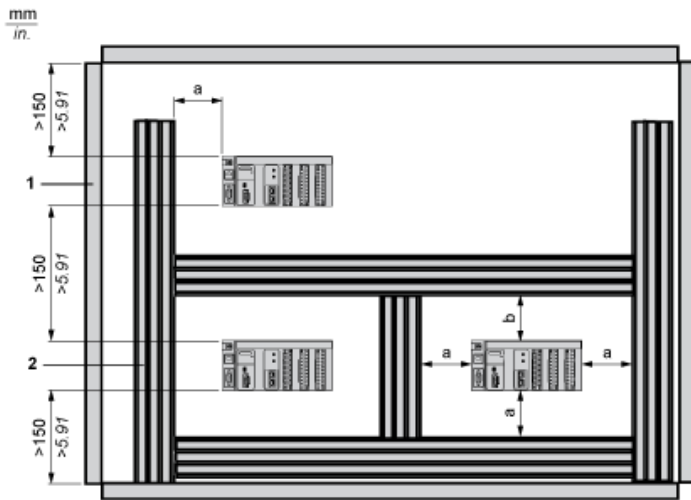
Mounting on DIN Rails



Mounting on Panels

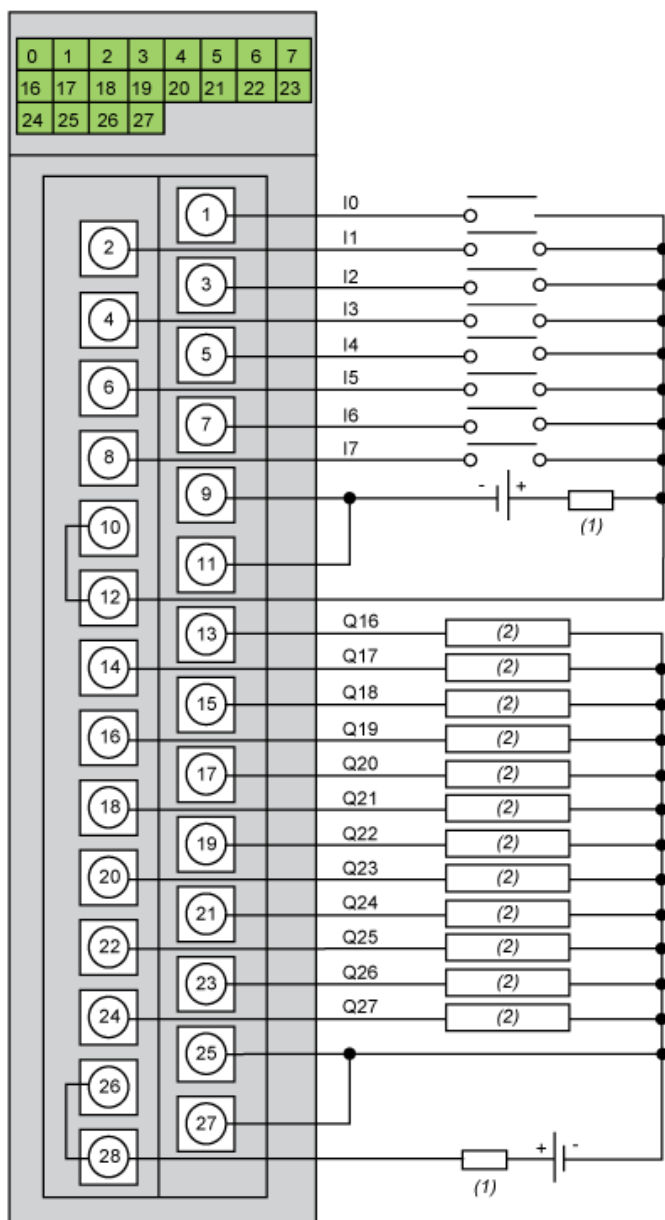


Clearance



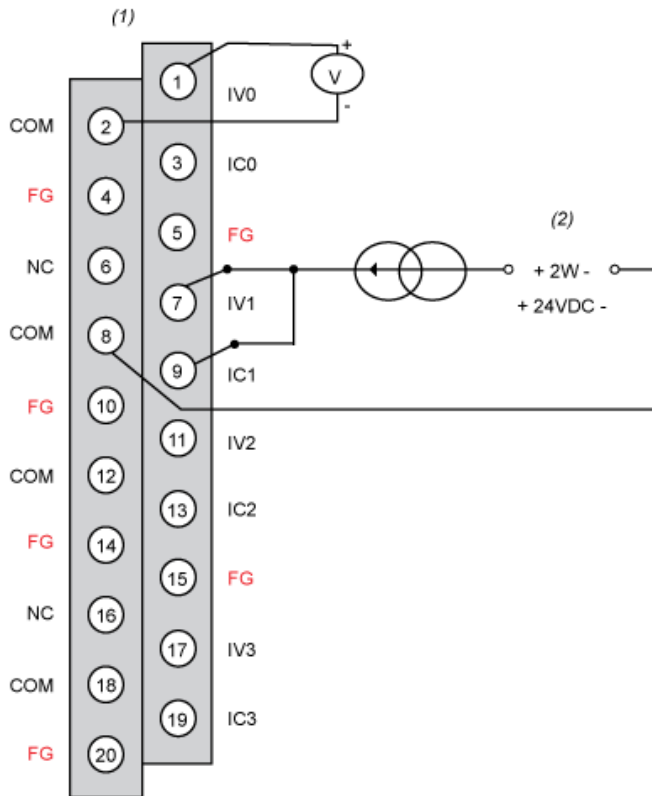
- a : Greater than or equal to 60 mm (2.36 inch)
- b : Greater than or equal to 80 mm (3.15 inch)
- 1 : Installation or casing
- 2 : Wiring duct or tray

Discrete I/O Connection



- (1) : Fuse
 - (2) : Pre-actuator
- Power supply: 24 Vdc
 Input fuse: fast blow fuse of 0.5 A
 Output fuse: fast blow fuse of 12 A

Analog Input Connection



(1) : Cabling view
 (2) : Loopsupply
 COM Common pin for each channel
 IVx : Pole input for channel x
 ICx: Current reading resistor + input
 FG: Functional ground