

# TM2DDO16UK

Discrete output module, Modicon M238  
logic controller, 16 outputs 24 V transistor, 1  
connector HE10



## Main

Range of Product	Modicon M238 logic controller
Product or Component Type	Discrete output module
Discrete output number	16
Discrete output type	Transistor
Discrete output voltage	24 V
Discrete output logic	Sink
Discrete output current	0.1 A

## Complementary

Range Compatibility	Twido Advantys OTB
Output voltage limits	20.4...28.8 V
Current per channel	0.12 A
Maximum current per output common	1 A
Number of common point	1
Response time	300 µs from state 0 to state 1 300 µs from state 1 to state 0
[Ures] residual voltage	1 V at state 1
Maximum tungsten load	8 W
Short-circuit protection	Without
Overload protection	Without
Isolation between channels	None
Isolation between channels and internal logic	500 V for 1 minute
Current consumption	10 mA 5 V DC at state 1 for all output 40 mA 24 V DC at state 1 for all output
Local signalling	2 display blocks
Electrical connection	1 connector HE10
Mounting Support	35 mm symmetrical DIN rail
Net Weight	0.15 lb(US) (0.07 kg)

## Environment

Depth	3.20 in (81.3 mm)
Height	3.54 in (90 mm)
Width	0.84 in (21.4 mm)

## Ordering and shipping details

Category	22531-PLCS, TWIDO, TWD
Discount Schedule	PC12
GTIN	3595863995794
Returnability	No
Country of origin	JP

## Packing Units

Unit Type of Package 1	PCE
Number of Units in Package 1	1
Package 1 Height	2.76 in (7.0 cm)
Package 1 Width	2.80 in (7.1 cm)
Package 1 Length	4.92 in (12.5 cm)
Package 1 Weight	5.93 oz (168.0 g)
Unit Type of Package 2	S04
Number of Units in Package 2	40
Package 2 Height	11.81 in (30 cm)
Package 2 Width	15.75 in (40 cm)
Package 2 Length	23.62 in (60 cm)
Package 2 Weight	14.82 lb(US) (6.72 kg)

## Offer Sustainability

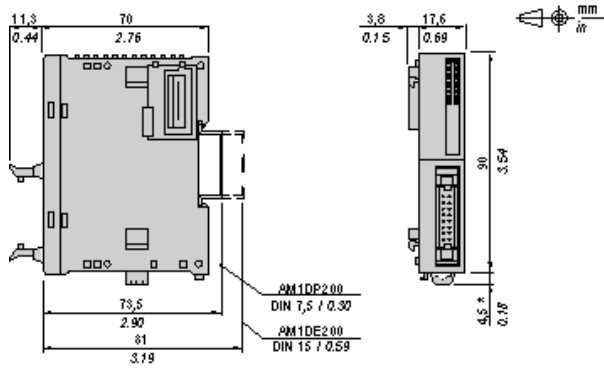
California proposition 65	WARNING: This product can expose you to chemicals including: Lead and lead compounds, which is known to the State of California to cause cancer and birth defects or other reproductive harm. For more information go to <a href="http://www.P65Warnings.ca.gov">www.P65Warnings.ca.gov</a>
REACH Regulation	<a href="#">REACH Declaration</a>
REACH free of SVHC	Yes
EU RoHS Directive	Pro-active compliance (Product out of EU RoHS legal scope)
Mercury free	Yes
China RoHS Regulation	<a href="#">China RoHS Declaration</a>
RoHS exemption information	<a href="#">Yes</a>
WEEE	The product must be disposed on European Union markets following specific waste collection and never end up in rubbish bins.
PVC free	Yes

## Contractual warranty

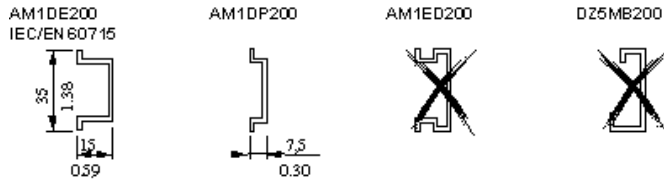
Warranty	18 months
----------	-----------

Digital Transistor Output Module (16-channel, Sink)

Dimensions



DIN Rail Mounting

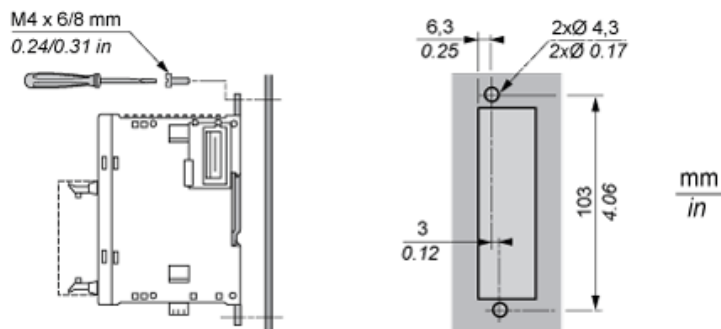


Rail depth	Catalogue part number
15 mm (0.59 in.)	AM1DE200
7,5 mm (0.30 in.)	AM1DP200

NOTE: Do not use AM1ED200 and DZ5MB200

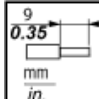

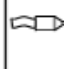
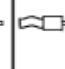


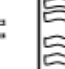
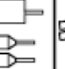
Module Mounting on a Panel Surface

Mounting Hole Layout



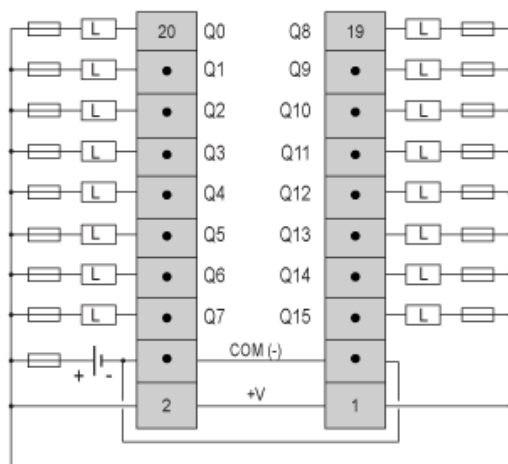
Wiring Requirements

Cable Types and Wire Sizes for Removable Screw Terminal Block

 9 0.35 mm in.							
	mm <sup>2</sup>	0,14...1,5	0,25...0,5	0,25...1,5	0,14...0,5	0,14...0,75	0,25...0,34
AWG	26...16	24...20	24...16	26...20	26...18	24...22	20

Digital Transistor Output Module (16-channel, Sink)

Wiring Diagram



L Load

Fuse value for the load: 0.125 A

Fuse value for the power supply: 2 A