



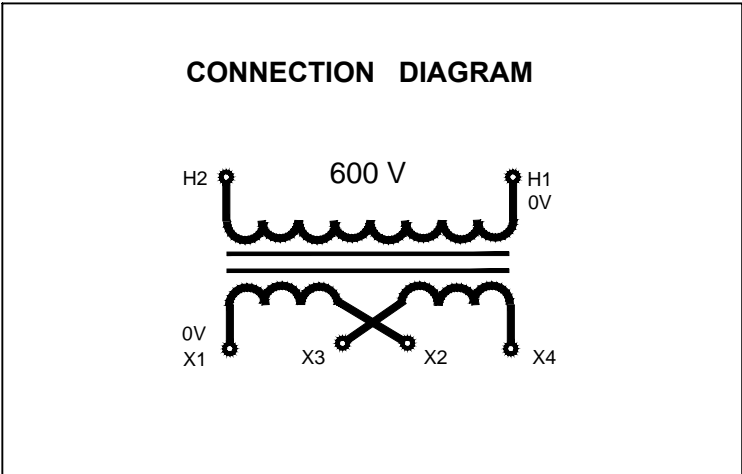
# MARCUS

Marcus Transformer LTD  
 Phone: 1-800-267-7376  
 Fax: 1-866-205-7526  
 Email: Info@marcustransformer.com

## TECHNICAL DATA

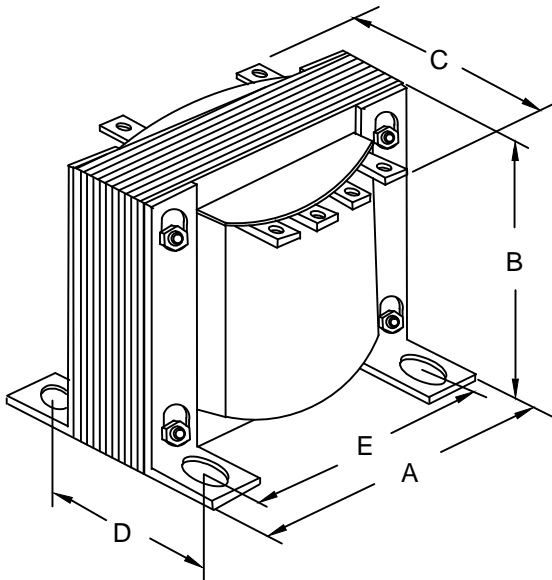
SINGLE PHASE CONTROL TRANSFORMER

| DESCRIPTION        |   |
|--------------------|---|
| MODEL              | MO350J                                    |
| Type               | Open                                      |
| VA                 | 350                                       |
| Primary (Volts)    | 600                                       |
| Secondary (Volts)  | 120 / 240                                 |
| Input /Output Amps | 0.58 / 2.92 , 1.46                        |
| Temperature Rise   | 80°C                                      |
| Insulation Class   | B (130°C)                                 |
| Frequency          | 60Hz                                      |
| Polarity           | additive                                  |
| Noise level        | less than 40DB                            |
| Winding            | Copper                                    |
| Approvals          | CE compliant<br>UL listed<br>CSA approved |



### WIRING CONNECTION

| PRIMARY :   |                    |                    |
|-------------|--------------------|--------------------|
| VOLTS       | CONNECT LINES TO : |                    |
| 600         | H1-H2              |                    |
| SECONDARY : |                    |                    |
| VOLTS       | INTERCONNECT:      | CONNECT LINES TO : |
| 120         | X1-X3 AND X2-X4    | X1-X4              |
| 240         | X2-X3              | X1-X4              |
| 120/240     | X2-X3              | X1-X3-X4           |



### DIMENSIONS INCHES / MM

| VA  | A             | B            | C             | D            | E            | MOUNTING HOLES INCHES / MM | SHIP WEIGHT LBS / KG |
|-----|---------------|--------------|---------------|--------------|--------------|----------------------------|----------------------|
| 350 | 4.50<br>114.3 | 3.75<br>95.3 | 5.20<br>132.1 | 3.75<br>95.3 | 3.75<br>95.3 | 0.21 x 0.625<br>5.3 x 15.9 | 11.0<br>5.0          |

Notes: