



### Main

Range of product	Modicon ETB
Product or component type	I/O distributed module
Number of input channels	12
Number of output channels	4
Module type	Ethernet/IP

### Complementary

Input type	Contact
Input logic	Positive
Maximum delay response	2.5 ms
Output current	2 A per module 8 A per output
Output protection type	Against short-circuits
Switching frequency	200 Hz
Short-circuit current	6.5 A
[Us] rated supply voltage	24 V DC
Connector type	M12
Standards	IEC 60529 IEC 60068-2-8

### Environment

IP degree of protection	IP67
Ambient air temperature for operation	-13...158 °F (-25...70 °C)
Ambient air temperature for storage	-40...185 °F (-40...85 °C)
Vibration resistance	10 gn

### Ordering and shipping details

Category	18215 - ADVANTYS STB I/O
Discount Schedule	PC32
GTIN	03595864046624
Nbr. of units in pkg.	1
Package weight(Lbs)	2.21 lb(US) (1.00 kg)
Returnability	No
Country of origin	IE

### Packing Units

Package 1 Height	1.61 in (41.000 mm)
Package 1 width	2.44 in (62.000 mm)
Package 1 Length	8.86 in (225.000 mm)

## Offer Sustainability

California proposition 65	WARNING: This product can expose you to chemicals including: Lead and lead compounds, which is known to the State of California to cause cancer and birth defects or other reproductive harm. For more information go to <a href="http://www.P65Warnings.ca.gov">www.P65Warnings.ca.gov</a>
EU RoHS Directive	Pro-active compliance (Product out of EU RoHS legal scope) <a href="#">EU RoHS Declaration</a>
China RoHS Regulation	<a href="#">China RoHS Declaration</a>
WEEE	The product must be disposed on European Union markets following specific waste collection and never end up in rubbish bins.

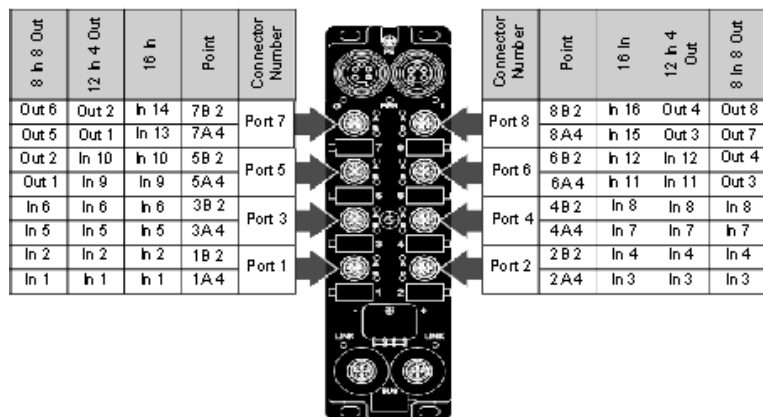
## Contractual warranty

Warranty	18 months
----------	-----------

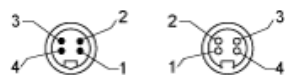


## I/O Assignments

Select the number of inputs/outputs according to the product characteristics in order to get the I/O assignment.



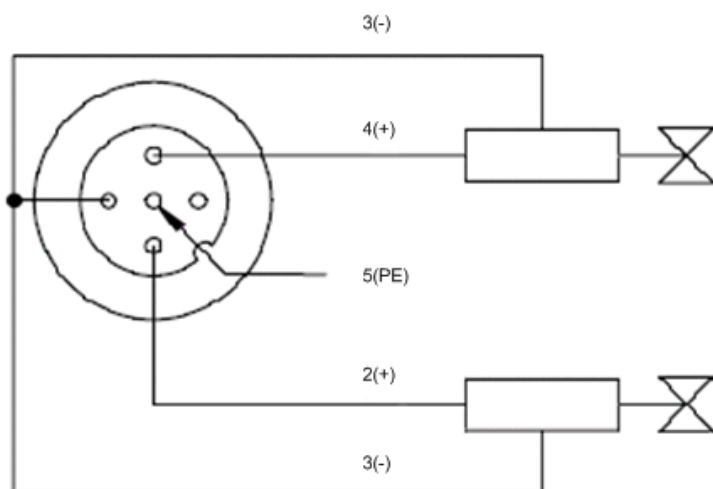
## Power Connectors



- 1 Output Power 0V
- 2 Module/Input Power 0V
- 3 Output Power 24V
- 4 Module/Input Power 24V

## 2-Output Port

### IEC Wiring Diagram with 2 Actuators



## 2-Input Port

## IEC Wiring Diagram with 2 Sensors

