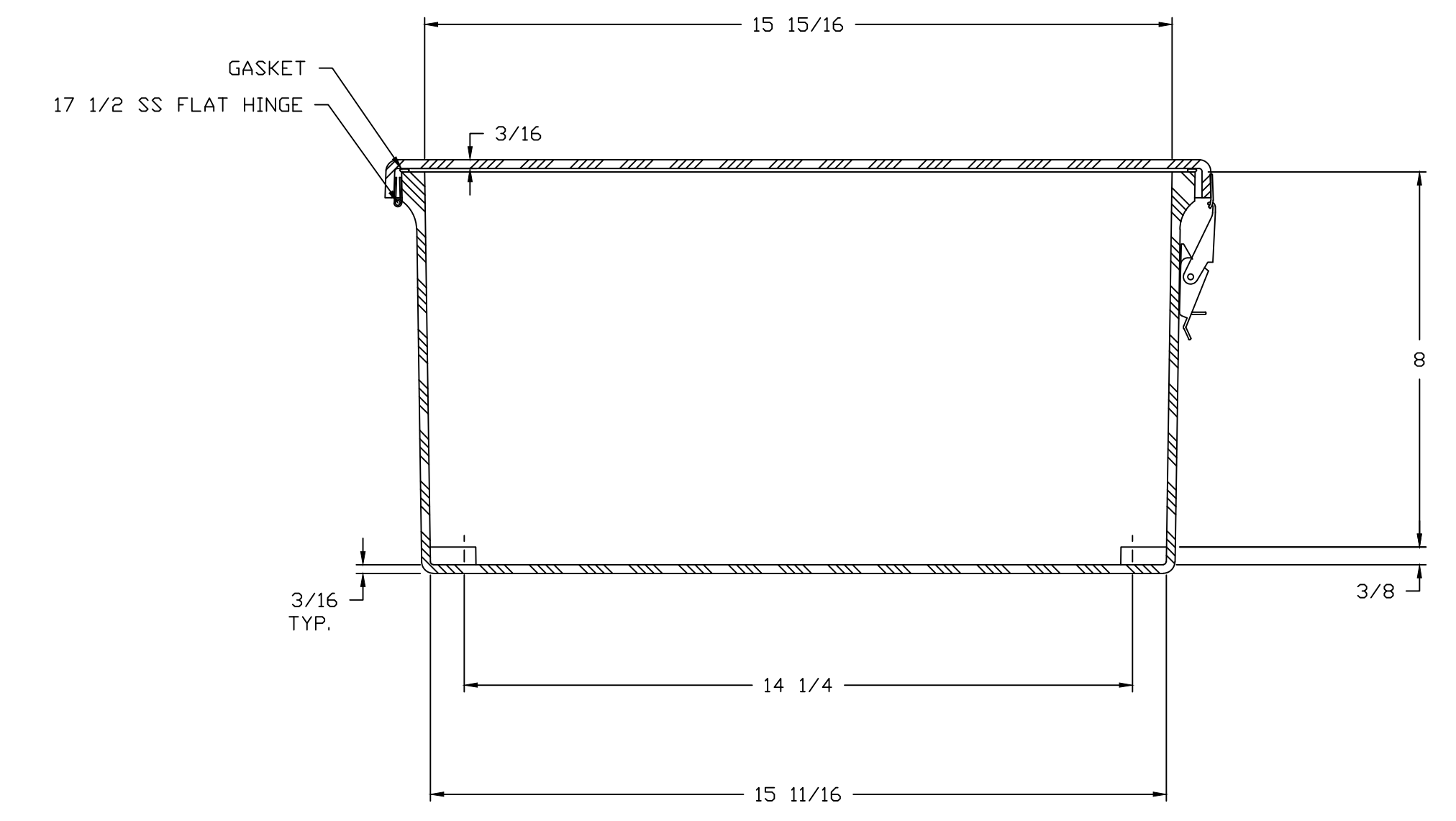
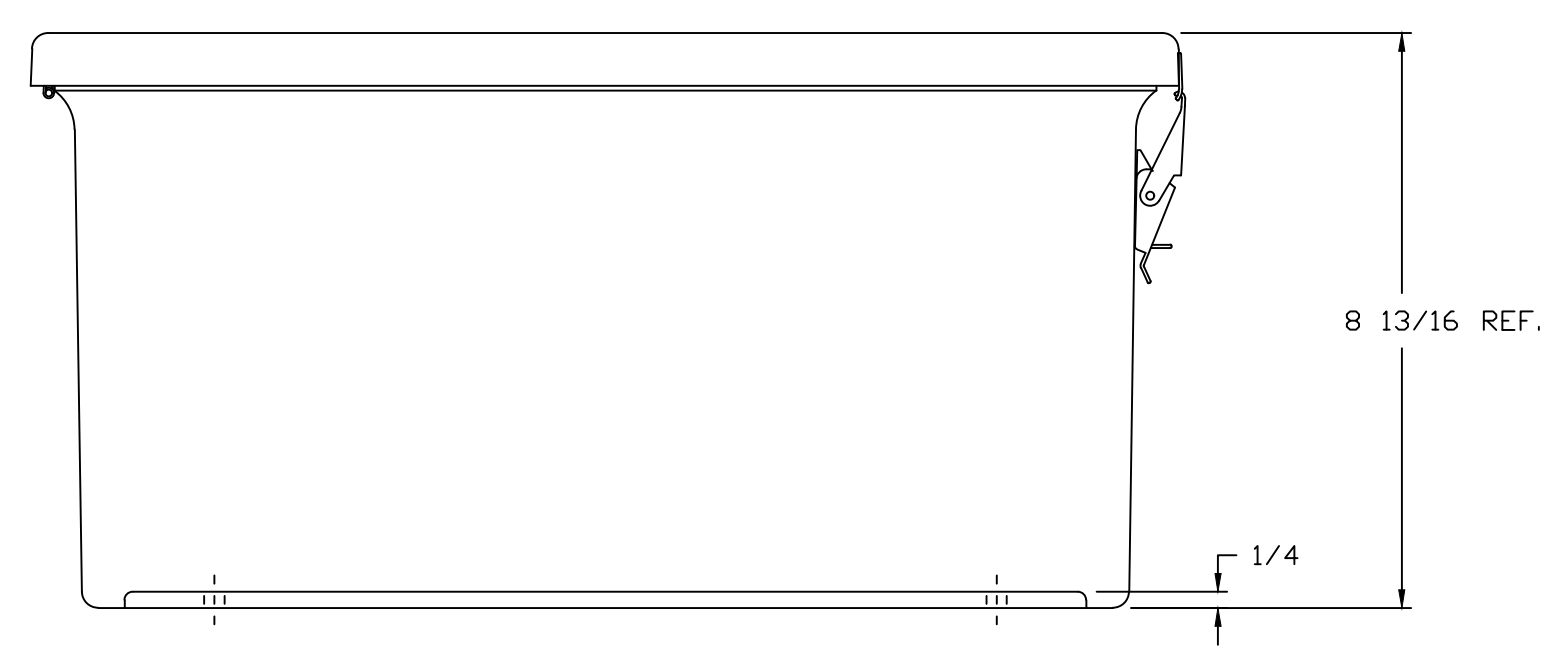


SECTION B-B



SECTION A-A

NEMA 4X		TOLERANCES UNLESS SPECIFIED		DECIMAL ± .010	FRACTIONAL ± 1/32						
COLOR GLACIER GRAY RR1013		<table border="1"> <tr> <td>DESIGNED BY</td> <td>SH</td> <td>5/3/91</td> </tr> <tr> <td>CHK. BY</td> <td>E91</td> <td>11/1/16</td> </tr> </table>				DESIGNED BY	SH	5/3/91	CHK. BY	E91	11/1/16
DESIGNED BY	SH					5/3/91					
CHK. BY	E91	11/1/16									
MATERIAL F.R. POLYESTER FIBERGLASS		RITTAL		AutoCAD DWG. FILE L-FJ1816CHNFQ							
LET.	REVISION RECORD	DATE	BY	CHD.							
APD. BY		DATE	CUSTOMER								
SCALE		PART NAME		PART NO.							
DO NOT SCALE		ENCLOSURE		L-FJ1816CHNFQ							