



Main

Range of product	Modicon STB distributed I/O solution
Product or component type	Standard digital output kit
Kit composition	STBXBA2000 base STBDAO5260 module STBXTS1100, 5-terminal screw type connector STBXTS2110, 5-terminal spring clamp connector
Discrete output number	2
Discrete output type	Triac
Discrete output voltage	115 V
Discrete output voltage type	AC

Complementary

Discrete output current	1000 mA 140 °F (60 °C) 2000 mA 86 °F (30 °C)
Discrete output logic	Positive or negative
Output voltage	74...132 V AC
Absolute maximum voltage	132 V
Response time	10 ms off-to-on 10 ms on-to-off
Cold swapping	Yes
Hot swapping	Yes for standard NIMs
Fallback	State 0 basic NIMs User configurable standard NIMs
Protection type	Output surge protection external fuse 5 A
Insulation between channels	1780 V for 1 minute
Insulation between channels and logic bus	1780 V for 1 minute
Maximum leakage current	2 mA at state 0 132 V
Surge current	20 A 40 ms 30 A 20 ms

Disclaimer: This documentation is not intended as a substitute for and is not to be used for determining suitability or reliability of these products for specific user applications

Minimum load	1 mA
Reset	Manual or automatic reset COM fault
Product compatibility	Power distribution module STBPDT2100/2105 I/O base STBXBA2000
Supply	Power distribution module
Current consumption	70 mA 5 V DC logic bus
Marking	CE
Overvoltage category	II
Status LED	1 LED (green)module status (RDY) Channel status (OUT1 to OUT2) 1 LED per channel green) 1 LED (red)module error (ERR)
Height	0.72 in (18.4 mm)
Depth	2.76 in (70 mm)
Width	5.05 in (128.3 mm)
Net weight	0.15 lb(US) (0.067 kg)

Environment

Standards	EN/IEC 61131-2
Product certifications	CSA UL FM Class 1 Division 2
Pollution degree	2 conforming to IEC 60664-1
Operating altitude	<= 2000 m
IP degree of protection	IP20 conforming to EN 61131-2 class 1
Ambient air temperature for operation	0...60 °C (without derating)
Ambient air temperature for operation	32...140 °F without derating
Ambient air temperature for storage	-40...85 °C without derating
Ambient air temperature for storage	-40...185 °F without derating
Relative humidity	95 % at 60 °C without condensation
Vibration resistance	3 gn at 58...150 Hz on 35 x 7.5 mm symmetrical DIN rail 5 gn at 58...150 Hz on 35 x 15 mm symmetrical DIN rail +/-0.35 mm at 10...58 Hz
Shock resistance	30 gn for 11 ms conforming to IEC 88 reference 2-27

Packing Units

Unit Type of Package 1	PCE
Number of Units in Package 1	1
Package 1 Weight	5.04 oz (143 g)
Package 1 Height	1.06 in (2.7 cm)
Package 1 width	3.15 in (8 cm)
Package 1 Length	5.12 in (13 cm)

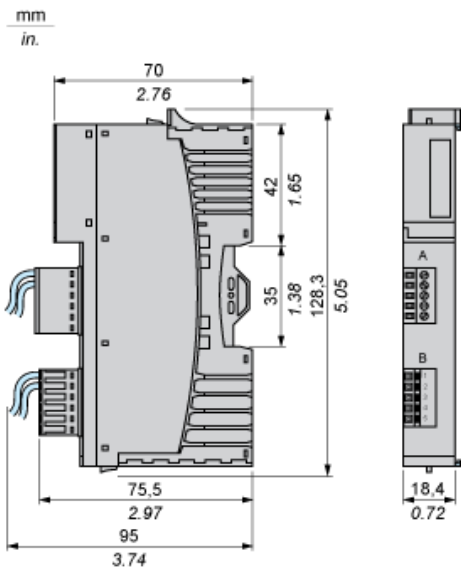
Offer Sustainability

Sustainable offer status	Green Premium product
REACH Regulation	REACH Declaration
EU RoHS Directive	Pro-active compliance (Product out of EU RoHS legal scope) EU RoHS Declaration
Mercury free	Yes
RoHS exemption information	Yes
China RoHS Regulation	China RoHS declaration
Environmental Disclosure	Product Environmental Profile
Circularity Profile	End of Life Information
WEEE	The product must be disposed on European Union markets following specific waste collection and never end up in rubbish bins

Contractual warranty

Warranty	18 months
----------	-----------

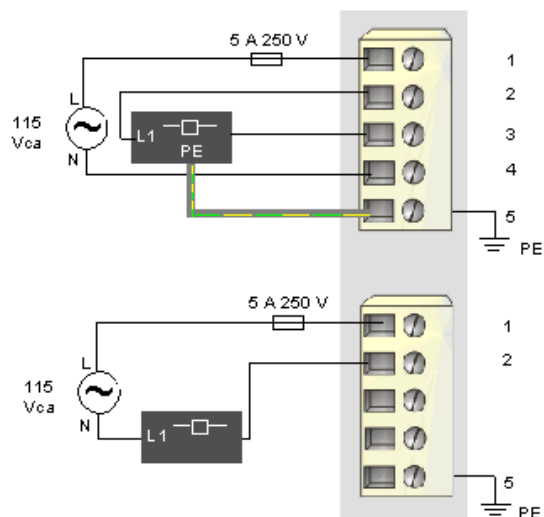
Dimensions



Wiring Diagram

Example

2 two-wire actuators



Pin	Top Connector	Bottom Connector
1	115 VAC source power 1 (to the module)	115 VAC source power 2 (to the module)
2	output to actuator 1	output to actuator 2
3	output neutral 1	output neutral 2
4	field power neutral 1 (to the module)	field power neutral 2 (to the module)
5	protective earth	protective earth