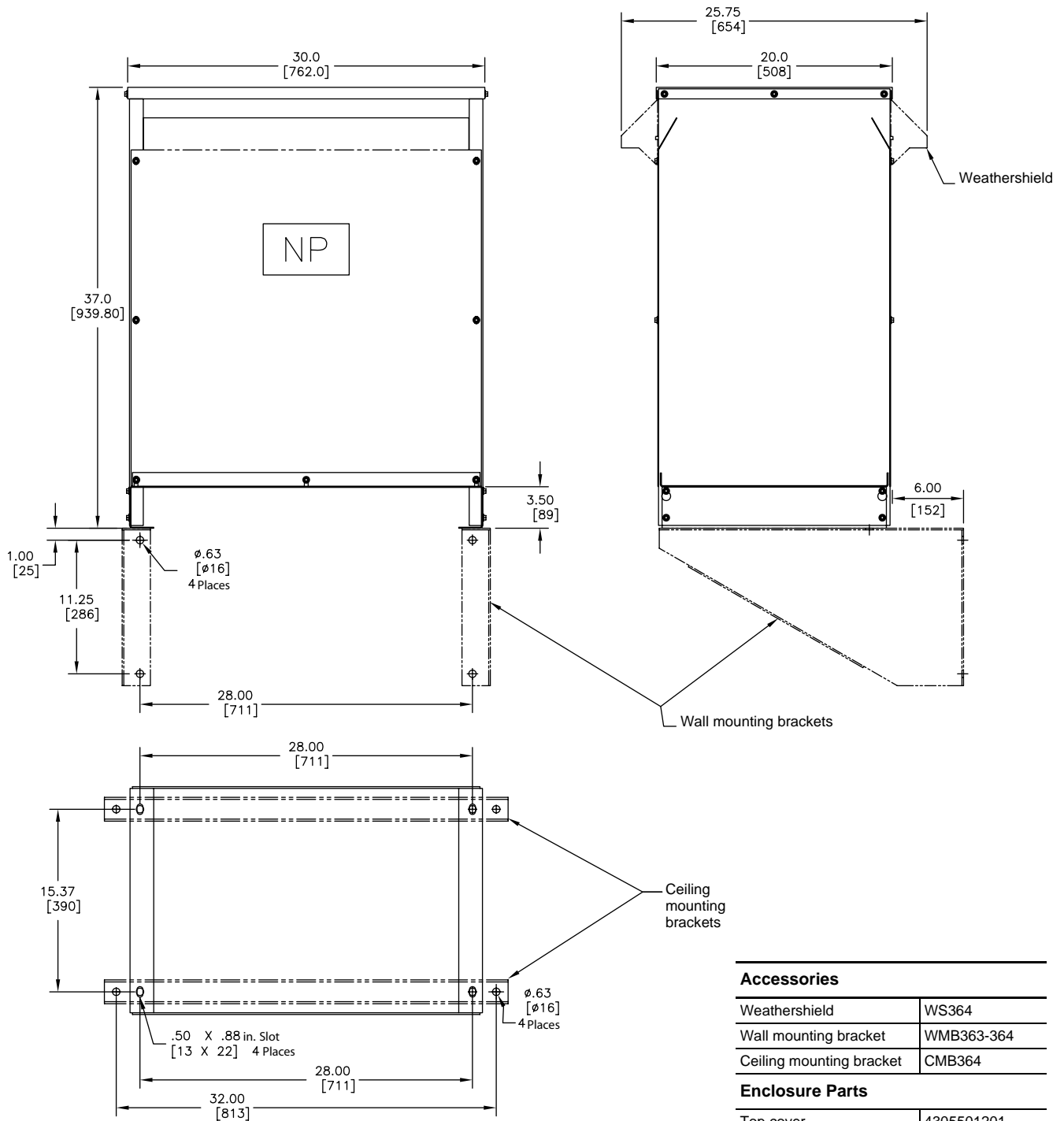


Energy Efficient Transformers Enclosure Diagrams and Accessories



Accessories

Weathershield	WS364
Wall mounting bracket	WMB363-364
Ceiling mounting bracket	CMB364

Enclosure Parts

Top cover	4305501201
Front ¹	4310192201
Rear	4310192201
Sides (ends)	4310179701
Base	4305500901

¹ When replacing a front panel, specify the transformer part number and "with nameplate and labels" on the order.

Enclosure 20D—Dry-Type Transformer