

IE-FCM-RJ45-FJ-B

Weidmüller Interface GmbH & Co. KG
Klingenbergstraße 26
D-32758 Detmold
Germany

www.weidmueller.com



Service interface FrontCom[®] Micro with RJ45 in IP65

General ordering data

Version	FrontCom Micro RJ45 module, TIA-568A, TIA-568B
Order No.	1018820000
Type	IE-FCM-RJ45-FJ-B
GTIN (EAN)	4032248730070
Qty.	10 pc(s).

Creation date November 26, 2024 12:59:59 PM CET

Catalogue status 26.11.2024 / We reserve the right to make technical changes.

IE-FCM-RJ45-FJ-B

Weidmüller Interface GmbH & Co. KG

Klingenbergstraße 26

D-32758 Detmold

Germany

www.weidmueller.com

Technical data

Dimensions and weights

Depth	42.9 mm	Depth (inches)	1.689 inch
Height	44 mm	Height (inches)	1.732 inch
Width	29.5 mm	Width (inches)	1.161 inch
Wall thickness, min.	1 mm	Wall thickness, max.	5 mm
Net weight	28.88 g		

Temperatures

Operating temperature	-40 °C...70 °C
-----------------------	----------------

General data

Tightening torque fixing nut	2 Nm	Connection 1	RJ45
Connection 2	IDC	Description of article	FrontCom Micro RJ45 module
Wiring	TIA-568A, TIA-568B	Colour	black
Housing main material	PA UL 94 V0	Insulation cross-section, max.	1.6 mm
Category	Cat.6 _A / Class E _A (ISO/IEC 11801 2010)	Contact surface	Gold over nickel
Connection diameter, solid	0.4...0.64 mm	Conductor connection cross-section, solid (AWG)	AWG 24...AWG 22
Connection diameter, flexible	0.48...0.76 mm	Conductor connection cross-section, flexible (AWG)	AWG 26...AWG 22
Sheath diameter, min.	5.5 mm	Sheath diameter, max.	10 mm
Type of mounting	Cabinet, Distribution box	Shielding	360° shield contact
Protection degree	IP65, in closed state	Plugging cycles	750

Electrical properties

Dielectric strength, contact / contact PoE / PoE+	≥ 1000 V AC/DC conforming to IEEE 802.3bt	Dielectric strength, contact / shield	≥ 1500 V AC/DC
---------------------------------------------------	-------------------------------------------	---------------------------------------	----------------

General standards

Certificate no. (cULus)	E316369	Connector standard	IEC 60603-7-51
-------------------------	---------	--------------------	----------------

Classifications

ETIM 6.0	EC001031	ETIM 7.0	EC001031
ETIM 8.0	EC001031	ETIM 9.0	EC001031
ECLASS 9.0	27-18-27-02	ECLASS 9.1	27-18-27-90
ECLASS 10.0	27-18-27-02	ECLASS 11.0	27-18-27-02
ECLASS 12.0	27-18-28-92	ECLASS 13.0	27-18-28-92
ECLASS 14.0	27-18-28-92		

Environmental Product Compliance

RoHS Compliance Status	Compliant without exemption
REACH SVHC	No SVHC above 0.1 wt%

IE-FCM-RJ45-FJ-B

Weidmüller Interface GmbH & Co. KG
Klingenbergstraße 26
D-32758 Detmold
Germany

www.weidmueller.com

Technical data

Approvals

Approvals



ROHS	Conform
UL File Number Search	UL Website
Certificate no. (cULus)	E316369

Downloads

Approval/Certificate/Document of Conformity	DUXR.E316369
Engineering Data	CAD data – STEP
Product Change Notification	Technical change of the housing of the FrontCom® Micro Technische Änderung des Gehäuses der FrontCom® Micro
User Documentation	MAN IE GUIDE DE MAN IE GUIDE EN Manual
Catalogues	Catalogues in PDF-format
Brochures	FL FIELDWIRING EN PI PROFINET CABLING EN PI PROFINET CABLING EN

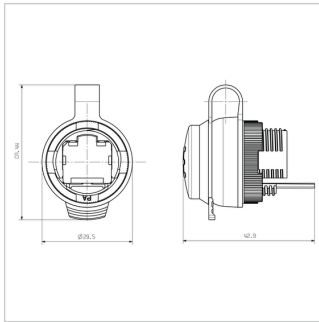
IE-FCM-RJ45-FJ-B

Weidmüller Interface GmbH & Co. KG
Klingenbergstraße 26
D-32758 Detmold
Germany

www.weidmueller.com

Drawings

Dimensioned drawing



Installation cut-out

