

# XY2SB724

Two-hand control station with pedestal, orange, 2 push buttons 1 NO + 1 NC, 1 emergency stop push button 2 NC, pre-wired terminal block



## Main

Range of product	Preventa XY2
Product or component type	Two-hand control station and pedestal
Component name	XY2S
Control station composition	2 push-buttons + 1 emergency stop push-button
Control button type	1 push-button, mushroom, red, 1 NC + 1 NC simultaneous 2 push-buttons
Connections - terminals	Pre-wired terminal block

## Complementary

Housing colour	Orange RAL 2008
Cable entry	1 plain hole for M25 2 plain holes for M20
Mechanical durability	1000000 cycles
Contact code designation	A600 AC-15, Ue = 240 V, Ie = 3 A Q600 DC-13, Ue = 250 V, Ie = 0.27 A conforming to EN/IEC 60947-5-1 appendix A
[Ui] rated insulation voltage	600 V (pollution degree 3) conforming to EN/IEC 60947-1 600 V conforming to UL 508 600 V conforming to CSA C22.2 No 14
[Uimp] rated impulse withstand voltage	6 kV EN/IEC 60947-1
Positive opening	With conforming to EN/IEC 60947-5-1 appendix K
Short-circuit protection	10 A gG cartridge fuse protection conforming to EN/IEC 60269
Electrical durability	1000000 cycles utilisation category AC-15, operating rate <60 cyc/mn at 120 V, 3 A, load factor: 0.5 conforming to EN/IEC 60947-5-1 appendix C 1000000 cycles utilisation category AC-15, operating rate <60 cyc/mn at 230 V, 2 A, load factor: 0.5 conforming to EN/IEC 60947-5-1 appendix C 1000000 cycles utilisation category AC-15, operating rate <60 cyc/mn at 24 V, 4 A, load factor: 0.5 conforming to EN/IEC 60947-5-1 appendix C 1000000 cycles utilisation category DC-13, operating rate <60 cyc/mn at 110 V, 0.2 A, load factor: 0.5 conforming to EN/IEC 60947-5-1 appendix C

Disclaimer: This documentation is not intended as a substitute for and is not to be used for determining suitability or reliability of these products for specific user applications

1000000 cycles utilisation category DC-13, operating rate <60 cyc/mn at 24 V, 0.5 A, load factor: 0.5 conforming to EN/IEC 60947-5-1 appendix C

Electrical reliability	Failure rate < 0.00000001 at 17 V, 0.005 A conforming to EN/IEC 60947-5-4 Failure rate < 0.000001 at 5 V, 0.001 A conforming to EN/IEC 60947-5-4
Net weight	37.48 lb(US) (17 kg)

## Environment

Standards	EN/IEC 60947-5-1 EN 574 ISO 13851
Protective treatment	TC
Ambient air temperature for operation	-13...158 °F (-25...70 °C)
Ambient air temperature for storage	-40...158 °F (-40...70 °C)
Vibration resistance	5 gn (f= 2...500 Hz) conforming to EN/IEC 60068-2-6
Shock resistance	10 gn for 11 ms conforming to EN/IEC 60068-2-27
Electrical shock protection class	Class I EN/IEC 61140
IP degree of protection	IP65 conforming to EN/IEC 60529

## Packing Units

Unit Type of Package 1	PCE
Number of Units in Package 1	1
Package 1 Weight	41.34 lb(US) (18.75 kg)
Package 1 Height	15.16 in (38.5 cm)
Package 1 width	18.70 in (47.5 cm)
Package 1 Length	29.92 in (76 cm)
Unit Type of Package 2	P12
Number of Units in Package 2	6
Package 2 Weight	238.17 lb(US) (108.03 kg)
Package 2 Height	50.00 in (127 cm)
Package 2 width	31.50 in (80 cm)
Package 2 Length	47.24 in (120 cm)

## Offer Sustainability

Sustainable offer status	Green Premium product
REACH Regulation	<a href="#">REACH Declaration</a>
EU RoHS Directive	Pro-active compliance (Product out of EU RoHS legal scope) <a href="#">EU RoHS Declaration</a>
Mercury free	Yes
RoHS exemption information	<a href="#">Yes</a>
China RoHS Regulation	<a href="#">China RoHS declaration</a>
Environmental Disclosure	<a href="#">Product Environmental Profile</a>
WEEE	The product must be disposed on European Union markets following specific waste collection and never end up in rubbish bins

## Contractual warranty

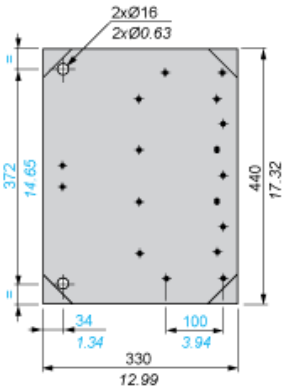
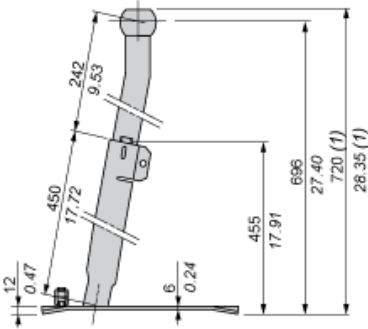
Warranty	18 months
----------	-----------



Pedestal

Dimensions

mm  
in.



(1) Adjustable height of pedestal 720 mm to 1060 mm / 28.30 in. to 41.70 in.