



Main

Range of Product	Modicon Momentum automation platform
Product or Component Type	Modbus I/O module base
Group of channels	1 group of 6 discrete inputs 1 group of 3 discrete outputs
Discrete input number	6
Discrete output number	3
Number of port	1
Communication port protocol	Modbus
Wiring mode	2 or 4 wires

Complementary

Discrete input logic	Positive
Discrete input voltage	120 V AC 47...63 Hz 0...132 V AC
Input overvoltage protection	200 V
Voltage state 1 guaranteed	≥ 79 V
Voltage state 0 guaranteed	≤ 20 V
Current state 1 guaranteed	≥ 5.5 mA
Current state 0 guaranteed	≤ 1.9 mA
Discrete output logic	Positive
Discrete output voltage	120 V 47...63 Hz
Discrete output current	0.5 mA per point 1.5 mA per module
Maximum voltage drop	< 1.5 V 0.5 A at state on
Maximum leakage current	1.9 mA AC 120 V
Surge current	30 mA
Response time	< 12.3 ms 60 Hz from state 1 to state 0 input circuit < 12.3 ms 60 Hz from state 1 to state 0 output circuit < 12.5 ms 60 Hz from state 0 to state 1 input circuit < 12.5 ms 60 Hz from state 0 to state 1 output circuit
Communication port support	RS485
Transmission Rate	9600 bit/s 19200 bit/s
Data format	8-bit RTU 7-bit ASCII
Number of addresses	0...247
Port timeout	150 ms
Marking	CE
Electrical connection	2 connectors for removable terminal blocks
Current consumption	125 mA 120 V
Net Weight	0.53 lb(US) (0.24 kg)

Environment

Product Certifications	CSA[RETURN]JUL
Protective treatment	TC
Resistance to electrostatic discharge	4 KV contact IEC 801-2 8 kV on air IEC 801-2
Resistance to electromagnetic fields	9.14 V/m (10 V/m) 80...1000 MHz IEC 801-3
Ambient Air Temperature for Operation	32...140 °F (0...60 °C)
Ambient Air Temperature for Storage	-40...185 °F (-40...85 °C)
Relative Humidity	95 % without condensation
Operating altitude	<= 16404.2 ft (5000 m)

Ordering and shipping details

Category	18206-MOMENTUM PROCESSORS,I/O BASES,CONN.
Discount Schedule	PC31
GTIN	3595860009326
Returnability	No
Country of origin	ID

Packing Units

Unit Type of Package 1	PCE
Number of Units in Package 1	1
Package 1 Height	2.64 in (6.7 cm)
Package 1 Width	6.69 in (17.0 cm)
Package 1 Length	8.27 in (21.0 cm)
Package 1 Weight	16.08 oz (456.0 g)
Unit Type of Package 2	S03
Number of Units in Package 2	6
Package 2 Height	11.81 in (30.0 cm)
Package 2 Width	11.81 in (30.0 cm)
Package 2 Length	15.75 in (40.0 cm)
Package 2 Weight	7.75 lb(US) (3.514 kg)

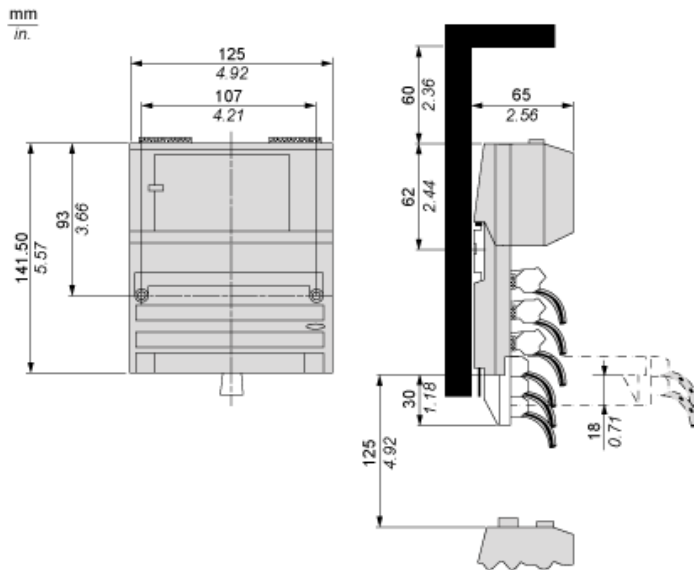
Offer Sustainability

Sustainable offer status	Green Premium product
California proposition 65	WARNING: This product can expose you to chemicals including: Lead and lead compounds, which is known to the State of California to cause cancer and birth defects or other reproductive harm. For more information go to www.P65Warnings.ca.gov
REACH Regulation	REACH Declaration
EU RoHS Directive	Pro-active compliance (Product out of EU RoHS legal scope)
Mercury free	Yes
China RoHS Regulation	China RoHS Declaration
RoHS exemption information	Yes
Environmental Disclosure	Product Environmental Profile
Circularity Profile	End Of Life Information
WEEE	The product must be disposed on European Union markets following specific waste collection and never end up in rubbish bins.

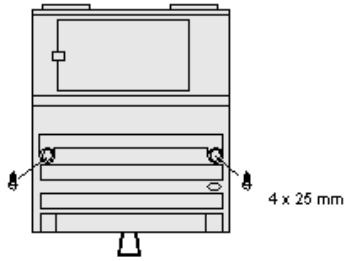
Contractual warranty

Warranty	18 months
----------	-----------

Standard Adapter on a Discrete VAC Base

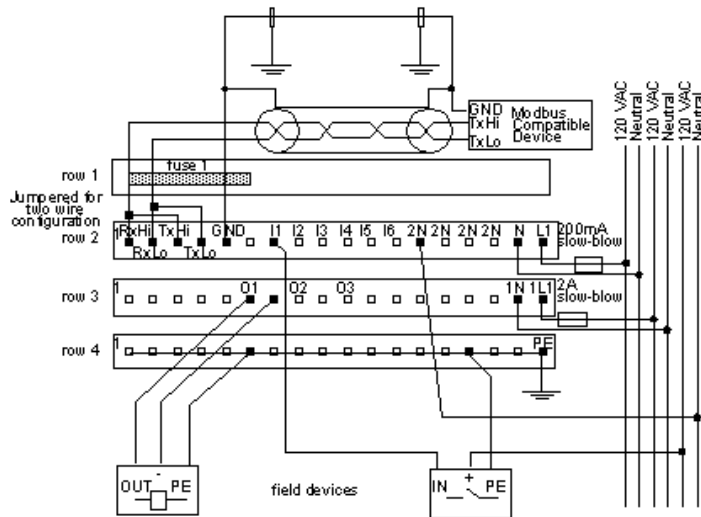


Mounting on a Wall



External Wiring Diagram

2-Wire Devices



Internal Pin Connections

Rows 1 through 3 show the internal connections between terminals on the I/O base. Row 4 shows the internal connections on the optional busbar.

