

# TSXXBTN410

display module - for ISPY weighing module -  
green backlit LCD display - 24 V DC



## Main

Range of Product	Modicon Premium Automation platform
Product or Component Type	Weight indicator

## Complementary

Display Type	Backlit LCD
Display colour	Green
Messages display capacity	1 line of 5 characters (17.36 x 11.8 mm) minimum 4 lines of 20 characters (4.34 x 2.95 mm) maximum 2 lines of 10 characters (8.38 x 5.9 mm) for weighing applications
[Us] rated supply voltage	24 V DC non isolated
Supply	External source
Supply voltage limits	18...30 V
Residual ripple	1200 mV
Power Consumption in W	5 W
Number of key	8
Marking	CE
Height	2.91 in (74 mm)
Width	5.20 in (132 mm)
Depth	4.09 in (104 mm)
Net Weight	0.84 lb(US) (0.38 kg)

## Environment

Standards	EN/IEC 61131-2 CSA C22.2 No 14 EN/IEC 60068-2 UL 508
Product Certifications	ATEX zone 2/22[RETURN]CSA Class 1 Division 2[RETURN]UL Class 1 Division 2
Ambient Air Temperature for Operation	32...131 °F (0...55 °C)
Ambient Air Temperature for Storage	-4...140 °F (-20...60 °C)
IP degree of protection	IP20 EN/IEC 60529 rear panel) IP65 EN/IEC 60529
NEMA degree of protection	NEMA 4X front panel outdoor use)

## Ordering and shipping details

Category	22558-TSX PREMIUM, ATRIUM & PL7 PRO
Discount Schedule	PC22
GTIN	3595863904451
Returnability	No
Country of origin	ID

## Packing Units

Unit Type of Package 1	PCE
Number of Units in Package 1	1
Package 1 Height	1.77 in (4.5 cm)
Package 1 Width	6.30 in (16.0 cm)
Package 1 Length	8.78 in (22.3 cm)
Package 1 Weight	12.59 oz (357.0 g)

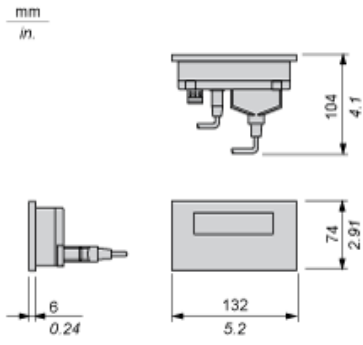
## Offer Sustainability

California proposition 65	WARNING: This product can expose you to chemicals including: Lead and lead compounds which is known to the State of California to cause cancer and birth defects or other reproductive harm. For more information go to <a href="http://www.P65Warnings.ca.gov">www.P65Warnings.ca.gov</a>
---------------------------	--

## Contractual warranty

Warranty	18 months
----------	-----------

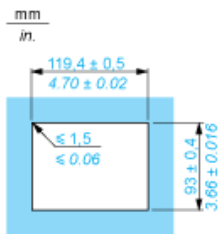
Dimensions



---

Cut-out for Flush Mounting

---



Fixing by 2 spring clips (included) on 1.5...6 mm / 0.06...0.24 in. thick panel