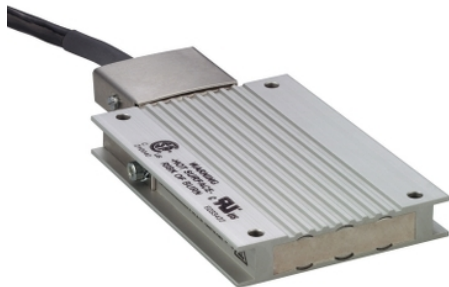


# Product data sheet

## Characteristics

# VW3A7603R30

braking resistor - 27 ohm - 200 W - cable 3 m - IP65



### Main

Range of Product	Altivar Lexium
Range Compatibility	Lexium 05 Altivar 32 Lexium 28 Altivar Machine ATV320 Lexium 52 Lexium 32i Lexium 32 Lexium 15 Easy Lexium 16
Product compatibility	ATV32HU22M2 Variable speed drive ATV320 2.2 kW, 200...240 V, single phase Motion servo drive LXM16D 0.75 kW, 200...230 V, single phase Motion servo drive LXM16D 1 kW, 200...230 V, single phase Motion servo drive LXM16D 1.5 kW, 200...230 V, single phase
Product or Component Type	Braking resistor
Ohmic value	27 Ohm

### Complementary

Energy peak	4300 J 480 V 4900 J 400 V 7400 J 230 V 9700 J 115 V
Average power available	50 W 122 °F (50 °C)
Continuous power	200 W
Protection Type	Thermal protection via the servo drive
Net Weight	2.65 lb(US) (1.2 kg)
Cable length	9.84 ft (3 m)

### Environment

IP Degree of Protection	IP65
Ambient Air Temperature for Storage	-13...185 °F (-25...85 °C)
Ambient Air Temperature for Operation	32...122 °F (0...50 °C)

### Ordering and shipping details

Category	18263-LEXIUM 32 ACCESSORIES
Discount Schedule	PC51
GTIN	3389119207164
Returnability	No
Country of origin	DE

The information provided in this documentation contains general descriptions and/or technical characteristics of the products of the performance of the products contained herein. This documentation is not intended as a substitute for and is not to be used for determining suitability or reliability of these products for specific user applications. It is the duty of any such user or integrator to perform the appropriate and complete risk analysis, evaluation and testing of the products with respect to the relevant specific application or use thereof. Neither Schneider Electric Industries SAS nor any of its affiliates or subsidiaries shall be responsible or liable for misuse of the information contained herein.

## Packing Units

Unit Type of Package 1	PCE
Number of Units in Package 1	1
Package 1 Height	1.77 in (4.5 cm)
Package 1 Width	15.75 in (40.0 cm)
Package 1 Length	5.12 in (13.0 cm)
Package 1 Weight	2.67 lb(US) (1.21 kg)

## Offer Sustainability

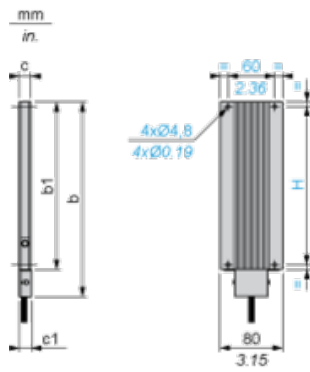
California proposition 65	WARNING: This product can expose you to chemicals including: Lead and lead compounds, which is known to the State of California to cause cancer and birth defects or other reproductive harm. For more information go to <a href="http://www.P65Warnings.ca.gov">www.P65Warnings.ca.gov</a>
REACH Regulation	<a href="#">REACH Declaration</a>
REACH free of SVHC	Yes
EU RoHS Directive	Pro-active compliance (Product out of EU RoHS legal scope) <a href="#">EU RoHS Declaration</a>
Toxic heavy metal free	Yes
Mercury free	Yes
China RoHS Regulation	<a href="#">China RoHS Declaration</a>
RoHS exemption information	<a href="#">Yes</a>

## Contractual warranty

Warranty	18 months
----------	-----------

Braking Resistor

Dimensions



Dimensions in mm

b	b1	c	c1	H
251	216	15	15.5	204

Dimensions in in.

b	b1	c	c1	H
9.88	8.50	0.59	0.61	8.03