

HMIFP6800WCD

19w Industrial FPM, Harmony FP6, Full HD, 16M colors, PCAP Multi Touch (2 points) with optimized noise filter, DVI, USB Type B, 24V DC



Main

Range of Product	Harmony FP6
Product or Component Type	Touch panel screen
Operating system	Windows 10 version 1809)

Complementary

Display size	18.5 inch
Aspect ratio	16:9
Display Type	LED Colour TFT LCD
Display Resolution	1920 x 1080 pixels full HD
Display colour	16 million colours
Touch panel	Multi-touch projected capacitive technology (PCT)
Pixel resolution	1920 x 1080
Backlight lifespan	50000 hours at 77 °F (25 °C)
Integrated connection type	DVI-D video port USB type B USB 2.0
[Us] rated supply voltage	24 V DC
Power consumption in W	30.6 W
Inrush current	30 A
Type of cooling	Natural
Device mounting	Panel mounting Direct mounting VESA
Cut-out dimensions	449.5 (+ 1/- 0) x 279.5 (+ 1/- 0) mm
Width	18.25 in (463.6 mm)
Depth	2.74 in (69.5 mm)
Height	11.56 in (293.6 mm)
Net Weight	13.89 lb(US) (6.3 kg)

The information provided in this documentation contains general descriptions and/or technical characteristics of the performance of the products contained herein. This documentation is not intended as a substitute for and is not to be used for determining suitability or reliability of these products for specific user applications. It is the duty of any such user or integrator to perform the appropriate and complete risk analysis, evaluation and testing of the products with respect to the relevant specific application or use thereof. Neither Schneider Electric Industries SAS nor any of its affiliates or subsidiaries shall be responsible or liable for misuse of the information contained herein.

Environment

Standards	CE FCC part 15 UL 61010-2-201 CSA C22.2 No 61010-2-201
Product certifications	RCM[RETURN]KC[RETURN]UKCA[RETURN]DNV (except 22" wide display) [RETURN]ATEX zone 2[RETURN]ATEX zone 22 dust[RETURN]CULus Class 1 Division 2[RETURN]IECEEx zone 2 (DC model, front USB cover must be locked with screw)[RETURN]IECEEx zone 22
IP degree of protection	IP66f IP67f Type 1 Type 4X Type 12 Type 13
Ambient air temperature for operation	32...131 °F (0...55 °C)
Ambient air temperature for storage	-4...140 °F (-20...60 °C)
Pollution degree	2
Operating altitude	6561.68 ft (2000 m)
Vibration resistance	1 gn 5...9 Hz) - single amplitude - IEC 61131-2 1 gn 9...150 Hz) - fixed amplitude - IEC 61131-2 1 gn - X, Y, Z directions for 10 cycles (approx. 100 min) - IEC 61131-2
Shock resistance	147 m/s ² IEC 61131-2 147 m/s ² 3 shocks in each direction X, Y and Z
Electromagnetic compatibility	Electrostatic discharge immunity test 6 kV contact discharge IEC 61000-4-2 level 3 Electrostatic discharge immunity test 8 kV air discharge IEC 61000-4-2 level 3 Electrical fast transient/burst immunity test 2 kV power ports IEC 61000-4-4 Electrical fast transient/burst immunity test 1 kV signal ports IEC 61000-4-4

Ordering and shipping details

Category	22575-MAGELIS MC3
Discount Schedule	MC3
GTIN	3606481808295
Returnability	No
Country of origin	US

Packing Units

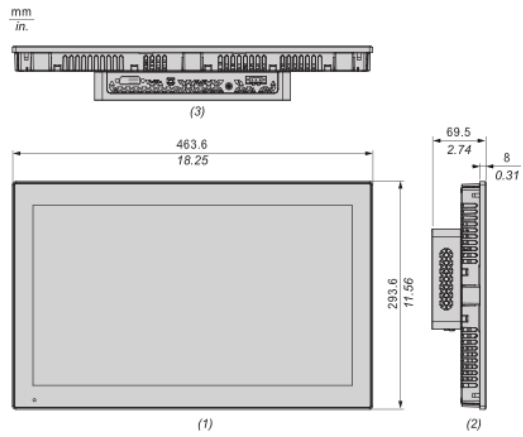
Unit Type of Package 1	PCE
Number of Units in Package 1	1
Package 1 Height	5.91 in (15 cm)
Package 1 Width	21.65 in (55 cm)
Package 1 Length	32.28 in (82 cm)
Package 1 Weight	13.18 lb(US) (5.98 kg)

Offer Sustainability

California proposition 65	WARNING: This product can expose you to chemicals including: Lead and lead compounds, which is known to the State of California to cause cancer and birth defects or other reproductive harm. For more information go to www.P65Warnings.ca.gov
REACH Regulation	 REACH Declaration
EU RoHS Directive	Pro-active compliance (Product out of EU RoHS legal scope)
Mercury free	Yes
China RoHS Regulation	 China RoHS Declaration
RoHS exemption information	 Yes

Dimensions

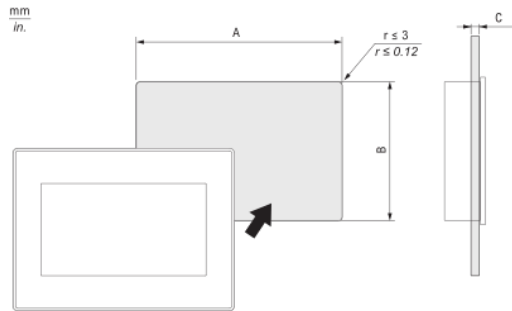
External Dimensions



- (1): Front
- (2): Left
- (3): Bottom

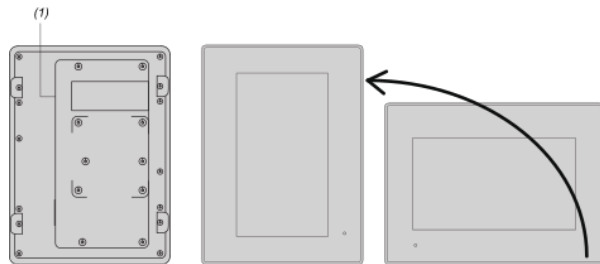
Mounting

Panel Cut Dimension



A		B		C	
mm	in.	mm	in.	mm	in.
449.5 (+1, -0)	17.7 (+0.04, -0)	279.5 (+1, -0)	11.0 (+0.04, -0)	1.6...5	0.06...0.2

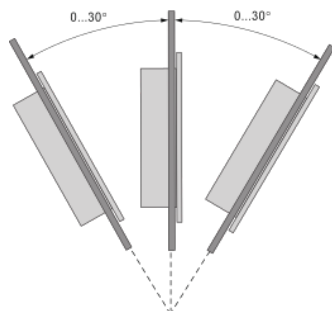
Mounting Orientation



(1): Power connector

Note: For portrait orientation mounting, make sure the screen editing software supports the function.

Mounting Angle



Clearance

