

BMXAMO0410H

analog isolated high level output module,
Modicon X80, 4 O, 0 to 20mA, 4 to 20mA, 10V
positive or negative, severe environment



Main

Range of Product	Modicon X80
Product or Component Type	Analog output module
Product Specific Application	For severe environments
Electrical connection	20 ways 1 connector
Isolation between channels	Isolated

Complementary

Measurement error	0.1 % of full scale 25 °C <= 0.45 % of full scale - 25...70 °C
Temperature drift	45 ppm/°C +/- 10 V 45 ppm/°C 0...20 mA 45 ppm/°C 4...20 mA
Minimum crosstalk attenuation	80 dB
Common mode rejection	100 dB
Isolation voltage	1400 V DC between channels and ground 1400 V DC between channels and bus 750 V DC between channels
Detection type	Open circuit 0...20 mA Open circuit 4...20 mA Short circuit +/- 10 V
Load impedance ohmic	>= 1000 Ohm +/- 10 V <= 500 Ohm 0...20 mA <= 500 Ohm 4...20 mA
Output level	High level
Analogue output number	4
Analogue output type	Current 0...20 mA Current 4...20 mA Voltage +/- 10 V
Analogue output resolution	15 bits + sign
Supply	Internal power supply via rack
Conversion time	<= 1 ms
Maximum conversion value	0...21 mA 0...20 mA 0...21 mA 4...20 mA +/- 10.5 V +/- 10 V
Fallback mode	Configurable Predefined
MTBF reliability	1000000 H
Operating altitude	0...6561.68 ft (0...2000 m) 2000...5000 m with derating factor
Status LED	1 LED (Green) RUN 1 LED per channel (Green) channel diagnostic 1 LED (Red) ERR 1 LED (Red) I/O
Net Weight	0.33 lb(US) (0.15 kg)

The information provided in this documentation contains general descriptions and/or technical characteristics of the performance of the products contained herein. This documentation is not intended as a substitute for and is not to be used for determining suitability or reliability of these products for specific user applications. It is the duty of any such user or integrator to perform the appropriate and complete risk analysis, evaluation and testing of the products with respect to the relevant specific application or use thereof. Neither Schneider Electric Industries SAS nor any of its affiliates or subsidiaries shall be responsible or liable for misuse of the information contained herein.

Power consumption in W	3 W 24 V DC typical 3.6 W 24 V DC maximum 0.45 W 3.3 V DC typical 0.51 W 3.3 V DC maximum
Current consumption	150 mA 3.3 V DC 140 mA 24 V DC

Environment

Vibration resistance	3 gn
Shock resistance	30 gn
Ambient Air Temperature for Storage	-40...185 °F (-40...85 °C)
Ambient Air Temperature for Operation	-13...158 °F (-25...70 °C)
Relative humidity	5...95 % 131 °F (55 °C) without condensation
IP Degree of Protection	IP20
Directives	2014/35/EU - low voltage directive 2014/30/EU - electromagnetic compatibility
Product Certifications	CE[RETURN]RCM[RETURN]CSA[RETURN]EAC[RETURN]Merchant Navy[RETURN]UL[RETURN]ATEX[RETURN]IEC-Ex
Standards	EN/IEC 61010-2-201 EN/IEC 61131-2 UL 61010-2-201 CSA C22.2 No 61010-2-201
Environmental characteristic	Gas resistant class Gx Gas resistant class 3C4 Dust resistant class 3S4 Sand resistant class 3S4 Salt resistant level 2 Mold growth resistant class 3B2 Fungal spore resistant class 3B2 Hazardous location
Protective treatment	Conformal coating

Ordering and shipping details

Category	18160-MODICON M340
Discount Schedule	PC34
GTIN	3595864156637
Returnability	Yes
Country of origin	FR

Packing Units

Unit Type of Package 1	PCE
Number of Units in Package 1	1
Package 1 Height	2.17 in (5.500 cm)
Package 1 Width	4.57 in (11.600 cm)
Package 1 Length	4.65 in (11.800 cm)
Package 1 Weight	7.83 oz (222.000 g)
Unit Type of Package 2	S02
Number of Units in Package 2	15
Package 2 Height	5.91 in (15.000 cm)
Package 2 Width	11.81 in (30.000 cm)
Package 2 Length	15.75 in (40.000 cm)
Package 2 Weight	7.99 lb(US) (3.624 kg)

Offer Sustainability

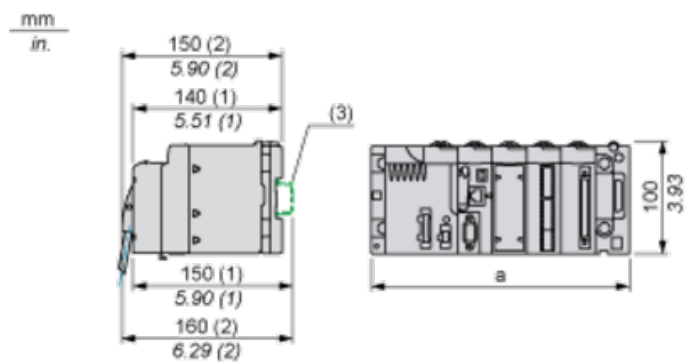
California proposition 65	WARNING: This product can expose you to chemicals including: Lead and lead compounds, which is known to the State of California to cause cancer and birth defects or other reproductive harm. For more information go to www.P65Warnings.ca.gov
REACH Regulation	REACH Declaration
EU RoHS Directive	Pro-active compliance (Product out of EU RoHS legal scope)
Mercury free	Yes
China RoHS Regulation	China RoHS Declaration
RoHS exemption information	Yes
WEEE	The product must be disposed on European Union markets following specific waste collection and never end up in rubbish bins.

Contractual warranty

Warranty	18 months
----------	-----------

Modules Mounted on Racks

Dimensions



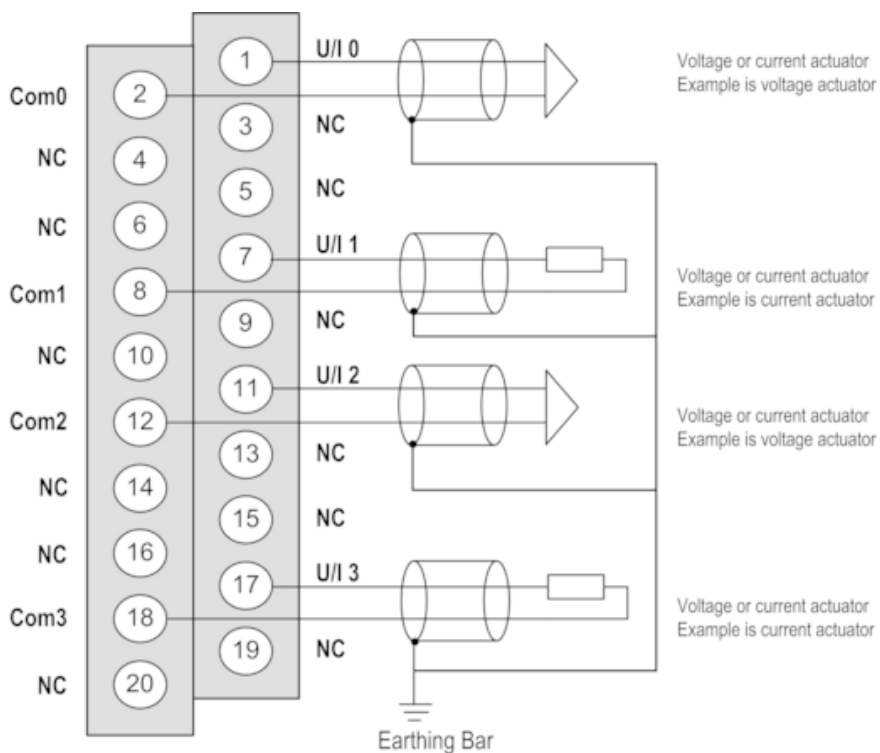
(1) With removable terminal block (cage, screw or spring).

(2) With FCN connector.

(3) On AM1 ED rail: 35 mm wide, 15 mm deep. Only possible with BMXXBP0400/0400H/0600/0600H/0800/0800H rack.

Rack references	a in mm	a in in.
BMXXBP0400 and BMXXBP0400H	242.4	09.54
BMXXBP0600 and BMXXBP0600H	307.6	12.11
BMXXBP0800 and BMXXBP0800H	372.8	14.68
BMXXBP1200 and BMXXBP1200H	503.2	19.81

Wiring Diagram



U/Ix + pole input for channel x

COMx - pole input for channel x

Channel 0 Voltage actuator

Channel 1 Current actuator

The current loop is self-powered by the output and does not request any external supply.