

Main

| | |
|---------------------------|--|
| Range of product | Lexium integrated drive |
| Product or component type | Motion integrated drive |
| Device short name | ILS |
| Motor type | 3-phase stepper motor |
| Number of motor poles | 6 |
| Phase | Single phase |
| [Us] rated supply voltage | 24 V 36 V |
| Network type | DC |
| Communication interface | Pulse/direction 5 V RS422, Integrated |
| Length | 5.47 in (138.9 mm) |
| Winding type | Medium speed of rotation and medium torque |
| Electrical connection | Printed circuit board connector |
| Holding brake | Without |
| Gear box type | Without |
| Nominal speed | 200 rpm 24 V 500 rpm 36 V |
| Nominal torque | 13.28 lbf.in (1.5 N.m) |
| Holding torque | 15.05 lbf.in (1.7 N.m) |

Complementary

| | |
|---------------------------------------|---|
| Mounting support | Flange |
| Motor flange size | 2.24 in (57 mm) |
| Number of motor stacks | 3 |
| Centring collar diameter | 1.50 in (38.1 mm) |
| Centring collar depth | 0.06 in (1.6 mm) |
| Number of mounting holes | 4 |
| Mounting holes diameter | 0.20 in (5.2 mm) |
| Circle diameter of the mounting holes | 2.62 in (66.6 mm) |
| Feedback type | Index pulse |
| Shaft end | Untapped |
| Second shaft | Without second shaft end |
| Shaft diameter | 0.31 in (8 mm) |
| Shaft length | 0.83 in (21 mm) |
| Supply voltage limits | 18...40 V |
| Current consumption | 3500 mA maximum continuous |
| Associated fuse rating | 10 A |
| Input/output type | 4 signals (each be used as input or output) |
| Voltage state 0 guaranteed | -3...4.5 V |
| Voltage state 1 guaranteed | 15...30 V |
| Discrete input current | 10 mA at 24 V safety input |
| Discrete output voltage | 23...25 V |
| Maximum switching current | 100 MA per output 200 mA total |

The information provided in this documentation contains general descriptions and/or technical characteristics of the performance of the products contained herein. This documentation is not intended as a substitute for and is not to be used for determining suitability or reliability of these products for specific user applications. It is the duty of any such user or integrator to perform the appropriate and complete risk analysis, evaluation and testing of the products with respect to the relevant specific application or use thereof. Neither Schneider Electric Industries SAS nor any of its affiliates or subsidiaries shall be responsible or liable for misuse of the information contained herein.

| | |
|---------------------------|--|
| Protection type | Short circuit of the output voltage Overload of output voltage Safe torque off |
| Peak stall torque | 13.28 lbf.in (1.5 N.m) |
| Continuous stall torque | 13.28 lbf.in (1.5 N.m) |
| Speed feedback resolution | 1.8°, 0.9°, 0.72°, 0.36°, 0.18°, 0.09°, 0.072°, 0.036° 200, 400, 500, 1000, 2000, 4000, 5000, 10000 steps |
| Accuracy error | +/- 6 arc min |
| Rotor inertia | 0.38 kg.cm ² |
| Maximum mechanical speed | 3000 rpm |
| Maximum radial force Fr | 50 N |
| Maximum axial force Fa | 100 N tensile force) 8.4 N force pressure) |
| Service life in hours | 20000 h bearing |
| Marking | CE |
| Type of cooling | Natural convection |
| Net weight | 4.41 lb(US) (2 kg) |

Environment

| | |
|---|---|
| Standards | EN 61800-3 : 2001-02 EN/IEC 61800-3 IEC 61800-3, Ed 2 EN/IEC 50178 EN 61800-3:2001, second environment IEC 60072-1 EN 50347 |
| Product certifications | TÜV CUL UL |
| Ambient air temperature for operation | 50...65 °C (with power derating of 2 % per °C) 0...50 °C (without derating) |
| Permissible ambient air temperature around the device | 221 °F (105 °C) power amplifier 230 °F (110 °C) motor |
| Ambient air temperature for storage | -13...158 °F (-25...70 °C) |
| Operating altitude | <= 1000 m without derating |
| Relative humidity | 15...85 % without condensation |
| Vibration resistance | 20 m/s ² 10...500 Hz) 10 cycles EN/IEC 60068-2-6 |
| Shock resistance | 150 m/s ² 1000 shocks EN/IEC 60068-2-29 |
| IP degree of protection | IP41 shaft bushing: conforming to EN/IEC 60034-5 Total except shaft bushing IP54 EN/IEC 60034-5 |

Ordering and shipping details

| | |
|-----------------------|-------------------------------------|
| Category | 18288 - LEXIUM INTEGRATED DRIVES II |
| Discount Schedule | PC56 |
| GTIN | 03389119227834 |
| Nbr. of units in pkg. | 1 |
| Package weight(Lbs) | 6.16 lb(US) (2.79 kg) |
| Returnability | No |
| Country of origin | DE |

Packing Units

| | |
|------------------------|-------------------|
| Unit Type of Package 1 | PCE |
| Package 1 Height | 4.13 in (10.5 cm) |
| Package 1 width | 7.48 in (19 cm) |
| Package 1 Length | 15.35 in (39 cm) |

Offer Sustainability

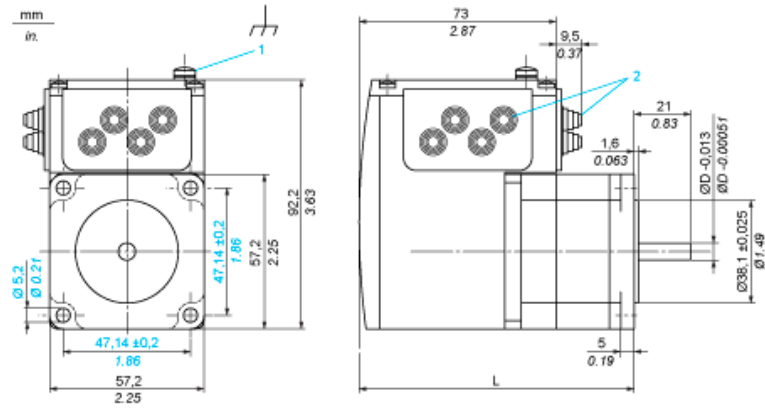
| | |
|----------------------------|---|
| Sustainable offer status | Green Premium product |
| California proposition 65 | WARNING: This product can expose you to chemicals including: Lead and lead compounds, which is known to the State of California to cause cancer and birth defects or other reproductive harm. For more information go to www.P65Warnings.ca.gov |
| REACH Regulation | REACH Declaration |
| EU RoHS Directive | Pro-active compliance (Product out of EU RoHS legal scope) EU RoHS Declaration |
| Mercury free | Yes |
| RoHS exemption information | Yes |
| China RoHS Regulation | China RoHS Declaration |
| WEEE | The product must be disposed on European Union markets following specific waste collection and never end up in rubbish bins. |
| PVC free | Yes |

Contractual warranty

| | |
|----------|-----------|
| Warranty | 18 months |
|----------|-----------|

Integrated Drive

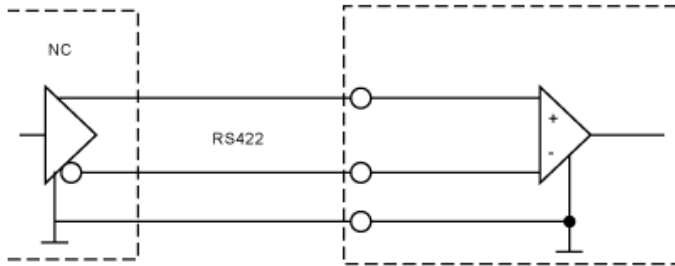
Dimensions



- 1 Earth (ground) terminal
- 2 Accessories: cable entries $\varnothing = 3 \dots 9 \text{ mm} / 0.12 \dots 0.35 \text{ in.}$
- L 138.9 mm/5.47 in.
- D 8 mm/0.31 in.

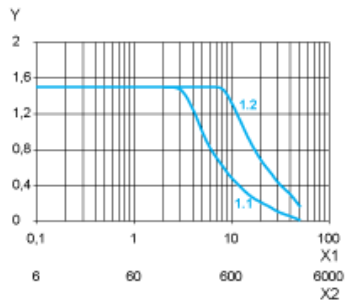
Multifunction Interface

Input Wiring Diagram



The reference pulses are supplied via two of the signal inputs, either as pulse/ direction signals or as A/B signals. The other signal inputs have the functions "power amplifier enable/pulse blocking" and "step size switching/PWM motor current control".

Torque Characteristics



- X1 Frequency in kHz
- X2 Speed of rotation in rpm
- Y Torque in Nm
- 1.1 Max. torque at 24 V
- 1.2 Max. torque at 36 V