



Main

| | |
|---------------------------|---------------|
| Range of Product | Harmony 9001K |
| Product or Component Type | Pilot light |
| Device short name | 9001K |

Complementary

| | |
|---|---|
| Bezel material | Metal |
| Mounting diameter | 1.18 in (30 mm) |
| Shape of signaling unit head | Round |
| Lens type | Domed plastic |
| Cap/operator or lens colour | Blue |
| Light source | incandescent |
| Bulb base | BA 9s |
| Light block supply | Via integral transformer 220...240 V AC 50/60 Hz 6 V) |
| Connections - terminals | Screw clamp terminals, 1 x 0.22...2 x 1.5 mm ² IEC 60947-1 |
| Tightening torque | 7.08 lbf.in (0.8 N.m) IEC 60947-1 |
| Shape of screw head | Cross slotted |
| Shape of screw head | Cross slotted |
| Operating position | Any position |
| [Ui] rated insulation voltage | 250 V 2)IEC 60947-1 |
| [Uimp] rated impulse withstand voltage | 2.5 kV IEC 60947-1 |
| Short-circuit protection | 10 A cartridge fuse IEC 60947-5-1 |
| Light source | Incandescent bulb |
| [Ith] conventional free air thermal current | 10 A |
| CAD overall width | 2.13 in (54 mm) |
| CAD overall height | 2.76 in (70 mm) |
| CAD overall depth | 1.65 in (42 mm) |
| [Us] rated supply voltage | 220...240 V AC |
| Net Weight | 0.46 lb(US) (0.21 kg) |
| Device presentation | Complete product |
| Lens type | Domed |
| [Us] rated supply voltage | 220...240 V |
| Light block supply | Via integral transformer |
| Supply frequency | 50...60 Hz |
| Lens material | Polycarbonate |
| Size | 30 mm |

Environment

| | |
|---------------------------------------|--|
| Standards | CSA C22.2 No 14 EN/IEC 60947-5-4 JIS C 852 JIS C8201-5-1 EN/IEC 60947-5-1 EN/IEC 60947-1 UL 508 JIS C8201-1 |
| Product Certifications | UL 508[RETURN]NEMA |
| Protective treatment | TC |
| Ambient Air Temperature for Storage | -40...158 °F (-40...70 °C) |
| Ambient Air Temperature for Operation | -13...158 °F (-25...70 °C) |
| Vibration resistance | 7 gn 2...500 Hz)IEC 60068-2-6 |
| Shock resistance | 50 gn IEC 60068-2-27 |
| Overvoltage category | Class II IEC 61140 |
| IP degree of protection | IP66 IEC 60529 |
| NEMA degree of protection | NEMA 1 NEMA 12 NEMA 13 NEMA 2 NEMA 3 NEMA 3R NEMA 4 NEMA 6 |

Ordering and shipping details

| | |
|-------------------|-----------------------------|
| Category | 21426-9001 K (NOT KA,KM,KX) |
| Discount Schedule | CS1 |
| GTIN | 785901952985 |
| Returnability | No |
| Country of origin | MX |

Packing Units

| | |
|------------------------------|---------------------|
| Unit Type of Package 1 | PCE |
| Number of Units in Package 1 | 1 |
| Package 1 Height | 1.80 in (4.572 cm) |
| Package 1 Width | 2.10 in (5.334 cm) |
| Package 1 Length | 3.60 in (9.144 cm) |
| Package 1 Weight | 8.00 oz (226.796 g) |

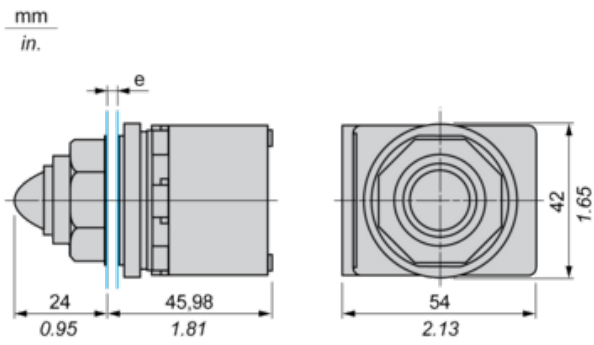
Offer Sustainability

| | |
|----------------------------|---|
| Sustainable offer status | Green Premium product |
| California proposition 65 | WARNING: This product can expose you to chemicals including: Lead and lead compounds, which is known to the State of California to cause cancer and birth defects or other reproductive harm. For more information go to www.P65Warnings.ca.gov |
| REACH Regulation | REACH Declaration |
| EU RoHS Directive | Pro-active compliance (Product out of EU RoHS legal scope) |
| Mercury free | Yes |
| China RoHS Regulation | China RoHS Declaration |
| RoHS exemption information | Yes |
| Environmental Disclosure | Product Environmental Profile |
| Circularity Profile | No need of specific recycling operations |
| WEEE | The product must be disposed on European Union markets following specific waste collection and never end up in rubbish bins. |

Contractual warranty

| | |
|----------|-----------|
| Warranty | 18 months |
|----------|-----------|

Dimensions



e panel thickness: 1 to 6 mm / 0.04 to 0.24 in.