



Main

Range of product	Modicon Quantum automation platform
Product or component type	AC discrete output modules
Discrete output number	16

Complementary

Group of channels	4 groups of 4 channels
Supply frequency	47...63 Hz
Maximum voltage drop	1.5 V
Discrete output voltage	20...56 V AC
Addressing requirement	1 output word
Absolute maximum output	100 Vrms 1 cycle AC 63 Vrms 10 s AC 111 Vrms 1.3 s AC
Maximum load current	16 A rms per module 4 A rms per group 4 A rms 20...56 V per output
Surge current	45 A during 1 cycle per group 25 A during 2 cycles per group 30 A during 3 cycles per group
DV/dt	400 V/ms
Response time	<= 0.5 ms at state 0 to state 1 <= 0.5 ms at state 1 to state 0
Fault indication	Loss of field power Blown fuse
Protection type	Internal output protection by 5 A fuse Internal by RC filter
Power dissipation	1.85 + (1.1 V x total module load current)
Marking	CE
Local signalling	Bus communication is present (Active) 1 LED green) External fault detected (F) 1 LED red) Input status 16 LEDs green)
Bus current requirement	350 mA
Module format	Standard
Net Weight	0.99 lb(US) (0.45 kg)

The information provided in this documentation contains general descriptions and/or technical characteristics of the performance of the products contained herein. This documentation is not intended as a substitute for and is not to be used for determining suitability or reliability of these products for specific user applications. It is the duty of any such user or integrator to perform the appropriate and complete risk analysis, evaluation and testing of the products with respect to the relevant specific application or use thereof. Neither Schneider Electric Industries SAS nor any of its affiliates or subsidiaries shall be responsible or liable for misuse of the information contained herein.

Environment

Protective treatment	Conformal coating Humiseal 1A33
Product certifications	FM Class 1 Division 2 CUL
Standards	UL 508 CSA C22.2 No 142
Electromagnetic compatibility	Electrostatic discharge immunity test 4 kV contact discharge) IEC 801-2 Electrostatic discharge immunity test 8 kV air discharge) IEC 801-2 Susceptibility to electromagnetic fields 10 V/m 80...1000 MHz) IEC 801-3
Ambient air temperature for operation	32...140 °F (0...60 °C)
Ambient air temperature for storage	-40...185 °F (-40...85 °C)
Relative humidity	95 % without condensation
Operating altitude	<= 16404.2 ft (5000 m)

Ordering and shipping details

Category	18155-QUANTUM I/O & POWER SUPPLIES
Discount Schedule	PC21
GTIN	03595861136045
Package weight(Lbs)	1.42 lb(US) (0.645 kg)
Returnability	No
Country of origin	US

Packing Units

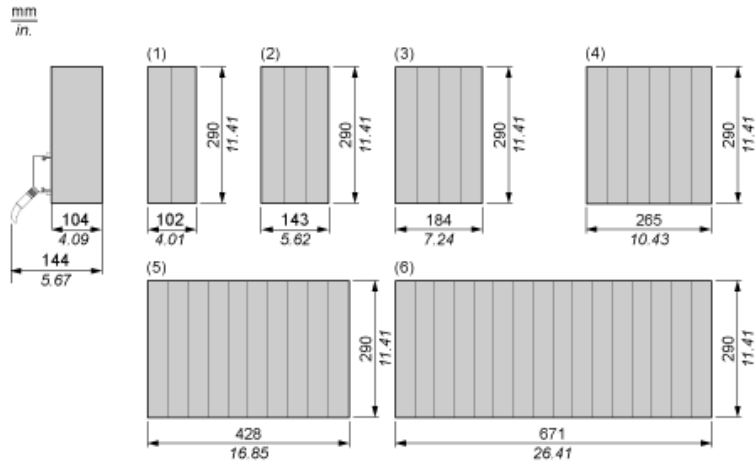
Package 1 Height	1.97 in (50.000 mm)
Package 1 width	6.50 in (165.000 mm)
Package 1 Length	12.20 in (310.000 mm)

Contractual warranty

Warranty	18 months
----------	-----------

Racks for Modules Mounting

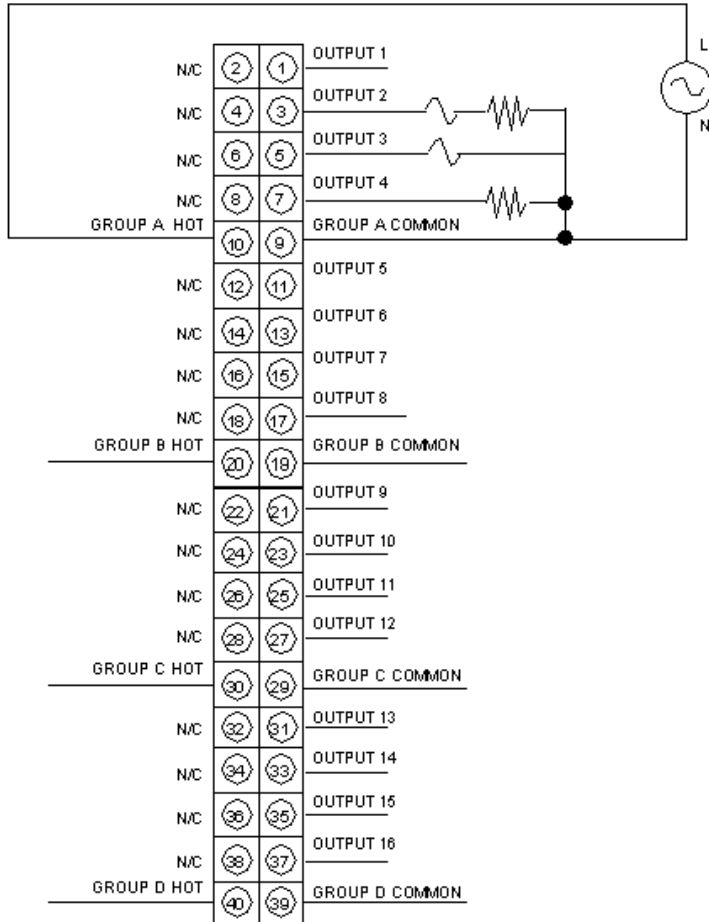
Dimensions of Modules and Racks



- (1) 2 slots
- (2) 3 slots
- (3) 4 slots
- (4) 6 slots
- (5) 10 slots
- (6) 16 slots

24...48 Vac Discrete Output Module

Wiring Diagram



N/C Not Connected