



### Main

Range of Product	Modicon Quantum automation platform
Product or Component Type	Analogue output module

### Complementary

Analogue output number	4
Addressing requirement	4 output words
Loop voltage	12...30 V DC
Maximum voltage drop	<30 V 20 mA
Analogue output range	4...20 mA 0...4096 counts, 12 bits bipolar current
Absolute accuracy error	+/- 0.20 % of full scale 77 °F (25 °C)
Linearity	+/- 1 LSB
Accuracy drift according to temperature	+/- 0.004 % of full scale/°C +/- 0.007 % of full scale/°C maximum
Isolation between channels	500 V 47...63 Hz AC 750 V for 1 minute DC
Update time	3 ms
Setting time	900 µs to +/- 0.1 % of the final value
Fault type	Open circuit 4...20 mA
Bus current requirement	480 mA
Maximum power dissipation in W	5.3 W
External power requirement	12...30 V
Marking	CE
Local signalling	For bus communication is present (Active) 1 LED (green) For external fault 1 LED (red) For channel is turned on 4 LEDs (green) For channel fault 4 LEDs (red)
Module format	Standard
Net Weight	0.66 lb(US) (0.3 kg)

### Environment

Protective treatment	Conformal coating Humiseal 1A33
Product Certifications	cUL[RETURN]FM Class 1 Division 2
Standards	CSA C22.2 No 142 UL 508
Resistance to electromagnetic fields	9.14 V/m (10 V/m) 80...2000 MHz IEC 801-3
Ambient Air Temperature for Operation	32...140 °F (0...60 °C)
Ambient Air Temperature for Storage	-40...185 °F (-40...85 °C)
Relative Humidity	95 % without condensation
Operating altitude	<= 16404.2 ft (5000 m)

## Ordering and shipping details

Category	18155-QUANTUM I/O & POWER SUPPLIES
Discount Schedule	PC21
GTIN	3595861136175
Returnability	No
Country of origin	FR

## Packing Units

Unit Type of Package 1	PCE
Number of Units in Package 1	1
Package 1 Height	1.77 in (4.5 cm)
Package 1 Width	6.50 in (16.5 cm)
Package 1 Length	12.20 in (31.0 cm)
Package 1 Weight	16.33 oz (463.0 g)
Unit Type of Package 2	S03
Number of Units in Package 2	7
Package 2 Height	11.81 in (30.0 cm)
Package 2 Width	11.81 in (30.0 cm)
Package 2 Length	15.75 in (40.0 cm)
Package 2 Weight	7.15 lb(US) (3.241 kg)

## Offer Sustainability

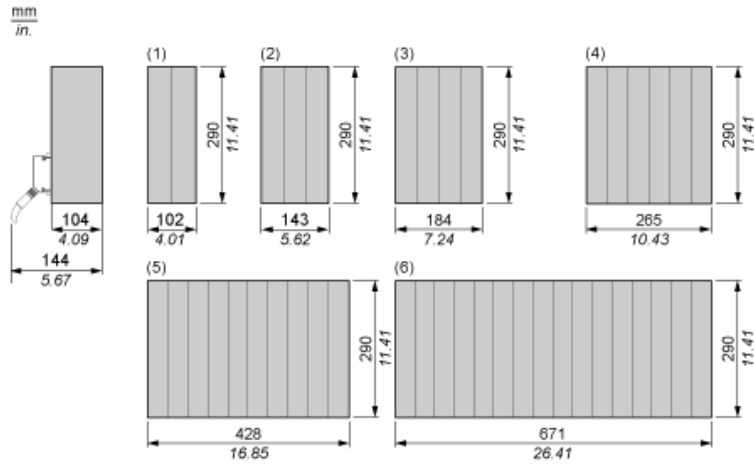
Sustainable offer status	Green Premium product
California proposition 65	WARNING: This product can expose you to chemicals including: Lead and lead compounds, which is known to the State of California to cause cancer and birth defects or other reproductive harm. For more information go to <a href="http://www.P65Warnings.ca.gov">www.P65Warnings.ca.gov</a>
REACH free of SVHC	Yes
EU RoHS Directive	Pro-active compliance (Product out of EU RoHS legal scope) <a href="#">EU RoHS Declaration</a>
Mercury free	Yes
China RoHS Regulation	<a href="#">China RoHS Declaration</a>
RoHS exemption information	<a href="#">Yes</a>
Circularity Profile	<a href="#">End Of Life Information</a>
WEEE	The product must be disposed on European Union markets following specific waste collection and never end up in rubbish bins.

## Contractual warranty

Warranty	18 months
----------	-----------

Racks for Modules Mounting

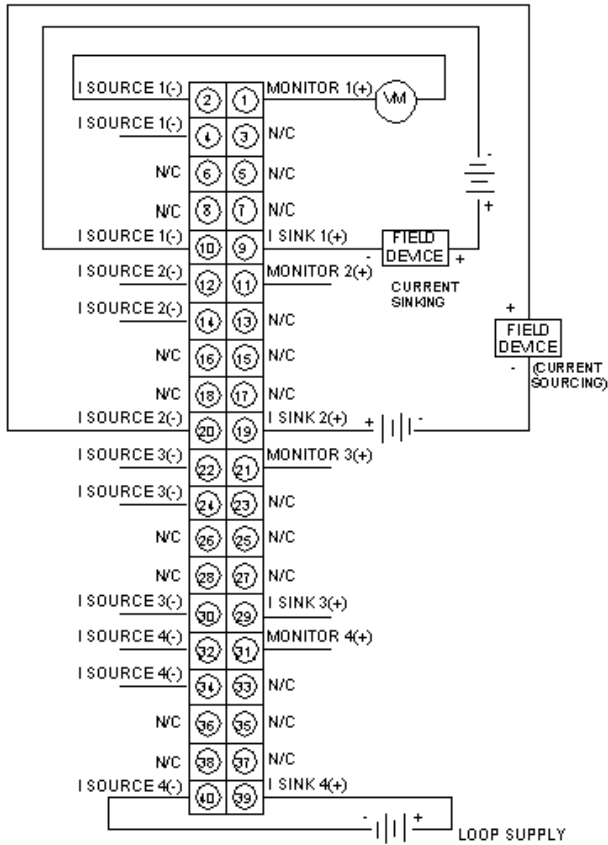
Dimensions of Modules and Racks



- (1) 2 slots
- (2) 3 slots
- (3) 4 slots
- (4) 6 slots
- (5) 10 slots
- (6) 16 slots

Analog Output 4-Channel Current Module

Wiring Diagram



N/C Not Connected