

# RA4S-G-90

# LUNA

4" Square Gimbal Color Selectable  
Recessed Downlighting

Job Information		
Project Name		Type
Location		
Quantity		Date
Contact/Phone		
Notes		

## Features

### Body

Durable airtight aluminum body with adjustable gimbal. Includes anodized blue heat sink to provide maximum airflow for the LED light source.

### LED Characteristics

This general application light fixture features an LED module that maintains uniform intensity producing up to 840 lumens; with a typical CRI of 90. On-fixture color selectable switch allows switching between 2700 K, 3000 K, 3500 K, 4000 K and 5000 K color temperatures.

### Dimming

100%-10% dimming capability. This fixture is compatible with industry standard forward-phase / reverse-phase and TRIAC/ELV dimmers (contact factory for list of compatible dimmers).

### Beam Spread

The fixture lens provides 40° beam spread.

### Mounting

Includes two spring loaded clips to attached to any ceiling material.

### LED Driver

Extruded aluminum hardwire box with 12 watt (300mA) or 9 watt (210mA) dimmable class II electronic LED driver with 100-135V AC input. Includes an 18" FT6 rated cable with DC 2.1 connector between driver and fixture approved for use in plenums and suspended ceilings.

### Quick Connect push-in terminals

Three "Quick connect" push-in terminals for fast and easy wiring.

### Operating Temperature

-20°C~40°C (-4°F~104°F)

### Environment

- Suitable for wet locations.
- Approved for direct contact with insulation.
- Airtight

### QuickShip In-Stock

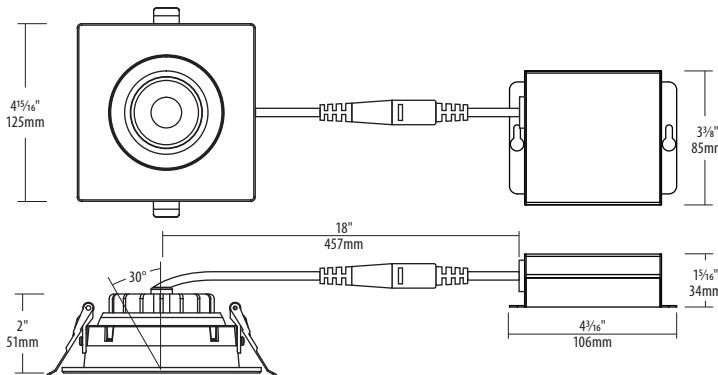
In-Stock products ship within two business days of an order being released.\*

SPECIFICATION	
Application	Ceiling Recess Mount
Approved Location	Wet / Insulated Ceilings
Beam Angle	40°
CCT (color selectable)	2700 K / 3000 K / 3500 K / 4000 K / 5000 K
Certification	cETLus
Class II	Yes
Color	BK / BN / OB / WH
CRI	90
Dimming	Yes
Dimming Tech	Forward/reverse-phase TRIAC/ELV
Energy Star	Yes
Hole Cut	Ø 4 1/4" (108mm)
Input	100-135V AC, 60Hz
Lumens	Up to 840
Lumens per Watt	Up to 71
Power Factor	0.9
Projected Life	70% @ 50,000 hrs
Warranty	Lifetime
Wattage	9W / 12W



## Description

Evolved to be a flexible, low-glare, and aesthetically pleasing luminaire, the LUNA Series offers contractors, builders, homeowners and designers, a fixture with regressed optics and color selectable CCT abilities, to promote on-site flexibility, while enhancing sleek, directional lighting in both commercial and residential spaces.



**Notes:** Accessories are sold separately. For additional options please consult your Liteline representative. Due to our continued efforts to improve our products, product specifications are subject to change without notice.

## Ordering Guide

Wattage	Driver Options	Trim Finish
<b>RA4S-</b> <input type="text"/> <b>G-90</b> <input type="text"/>	<input type="text"/>	<input type="text"/>
<b>12:</b> 12 watt <b>9:</b> 9 watt	Leave blank for standard 120V driver <b>E:</b> Lutron Hi-Lume® 1% (EcoSystem®) <b>EM:</b> Emergency Backup, 120~277V, 0-10V <b>C:</b> 120~347V, 0-10V	<b>BK:</b> Black <b>BN:</b> Brushed Nickel <b>WH:</b> White <b>OB:</b> Oil Rubbed Bronze



Highlighted option denotes QuickShip.

\* QuickShip lead time may vary for orders greater than 100 pieces. No additional shipment rates apply. Subject to availability.

## Accessories

---



### SLM-60-FC

60" Flexible connector, for use with SlimLED fixtures.



### P-4020

4 1/4" Round pre-mounting plate with driver attachment clip, for 4" LUNA LED fixtures.



### P-4020NC

4 1/4" Round new construction plate with driver attachment clip, for 4" LUNA LED fixtures.



### P-NCMK-1

New construction mounting kit. Includes hanger bars, brackets and screws.



### VBE-1

Vapour barrier extender. For use in new construction applications.



### VBE-2

Vapour barrier extender. For use in remodel applications.



### VBE-3

Vapour barrier extender. For use in remodel applications.



### VBE-4

Vapour barrier extender. For use in remodel applications.



### VBE-5

Vapour barrier extender. For use in new construction applications.