

BURNDY Catalog Number
UPC Number
Description
Status

WO
7818104404522
W-DIE, INDEX: O
Active

Web Use
BURNDY Product Line

Product Description
Die Configuration

ROHS Compatible

Type of Dies
Index Number
Documentation

General

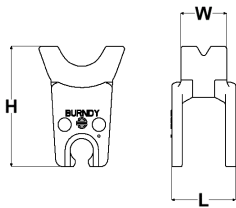
Stainless Steel W Die, Index O
Set

Approvals / Certifications

Exempt

Physical

W
O



For further technical assistance, please contact us

BURNDY LLC - USA

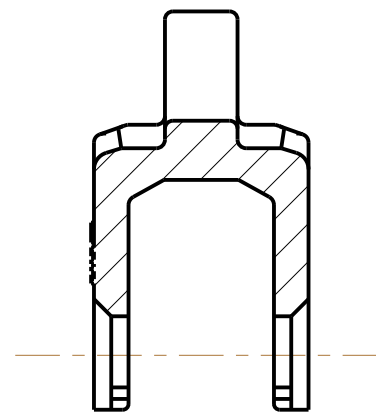
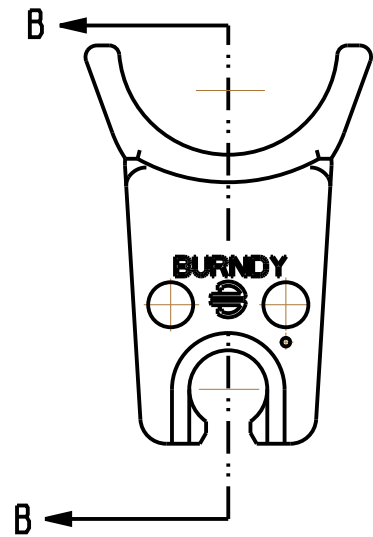
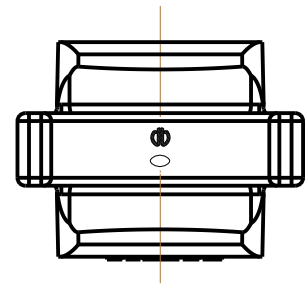
47 East Industrial Park Drive
Manchester NH 03109

BURNDY Technical Services

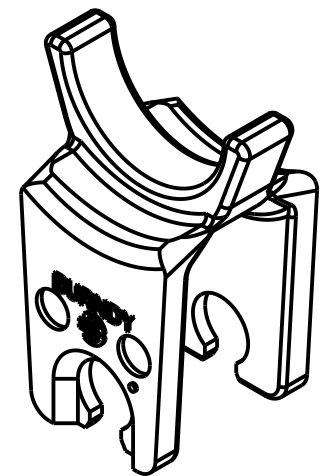
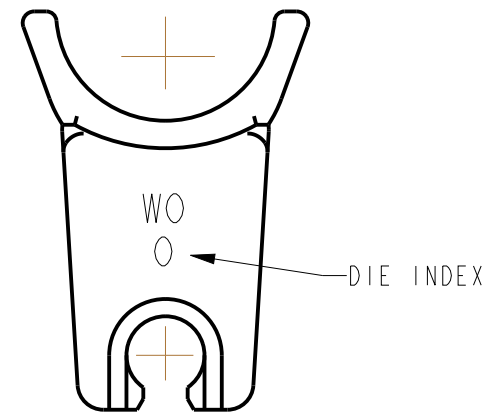
47 East Industrial Park Drive
Manchester NH 03109

Hours: 8:00 AM - 5:00 PM
Monday - Friday
Phone: 800-346-4175

REV.	DATE	DESCRIPTION	ECO	BY	C'H'K.
B	01/29/2014 00:00:00 AM	ADD NOTE 3 TO DRAWING PER M/U.	34286	RB	LB



SECTION B-B



NOTES:

1. DIMENSIONS IN BRACKETS [] ARE IN MILLIMETERS ROUNDED OFF TO THE NEAREST MILLIMETER, UNLESS OTHERWISE SPECIFIED, AND ARE FOR REFERENCE ONLY.
2. MATERIAL : STAINLESS STEEL.
3. DIE GAGE CAT. NO. WPGO.

TO ORDER BURNDY® PRODUCTS CALL
 UNITED STATES:
 1-800-346-4175 (LONDONDERRY, NH)
 CANADA:
 1-800-361-6975 (QUEBEC)
 1-800-387-6487 (ALL OTHER PROVINCES)
 FOR PRODUCT INFO: <http://www.burndy.com>

W-DIES (MD6 HYTOOL)		SCALE: 3:2	
ITEM NO: 464045		DRAWING NO	
CAT. NO: WO		REV	
DRAWN BY: THIRU	08/14/2012	BURNDY	SHEET 1 OF 1
CHECKER: L BROWN	08/24/2012		
DSN APPVL: L BROWN	08/24/2012		
MFG APPVL: --	--		
QA APPVL: C ACKERMAN	09/07/2012		
MKT APPVL: R POIRIER	08/30/2012	PROJECT #: --	
PROJECT #: --	SIZE	DRAWING NO	
DOCUMENT TYPE: Sales	B	50007852	
REL LEVEL: Released		REV	
		B	

REV: PE0200