

9001KR9P38LRR

30mm push button, Type K, illuminated maintained push pull mushroom, 120VAC/VDC red LED, red mushroom, NEMA 4, 13



Main

Range of Product	Harmony 9001K
Product or Component Type	Head for illuminated push-button
Device short name	9001K
Type of operator	Stay put
Operator profile	Red mushroom Ø 41 mm, unmarked
Light block supply	Direct

Complementary

Bezel material	Metal
Mounting diameter	1.18 in (30 mm)
Net Weight	0.41 lb(US) (0.186 kg)
Operating position	Any position
Shape of signaling unit head	Round
Operator position information	2 positions
Contacts type and composition	Without contact block
Mechanical durability	5000000 cycles
Light source	LED
Light source	incandescent
Bulb base	BA 9s
[Us] rated supply voltage	120 V AC/DC
[Us] rated supply voltage	120 V AC/DC
Compatibility code	9001K
Cap/operator or lens colour	Red
[Us] rated supply voltage	120 V
Light source colour	Red
Operator profile	Mushroom Ø 41 mm
Type of operator	Push-pull
Operator additional information	Screw-on plastic
Size	30 mm

Environment

Protective treatment	TC
Ambient Air Temperature for Storage	-40...158 °F (-40...70 °C)
Ambient Air Temperature for Operation	-13...158 °F (-25...70 °C)
Electrical shock protection class	Class II IEC 60536
Overvoltage category	Class II IEC 60536
IP degree of protection	IP66 IEC 60529

The information provided in this documentation contains general descriptions and/or technical characteristics of the performance of the products contained herein. This documentation is not intended as a substitute for and is not to be used for determining suitability or reliability of these products for specific user applications. It is the duty of any such user or integrator to perform the appropriate and complete risk analysis, evaluation and testing of the products with respect to the relevant specific application or use thereof. Neither Schneider Electric Industries SAS nor any of its affiliates or subsidiaries shall be responsible or liable for misuse of the information contained herein.

NEMA degree of protection	NEMA 1 NEMA 12 NEMA 13 NEMA 2 NEMA 3 NEMA 3R NEMA 4
Standards	UL 508 JIS C 852 EN/IEC 60947-1 EN/IEC 60947-5-1 CSA C22.2 No 14 JIS C 4520 EN/IEC 60947-5-4
Product Certifications	UL 508[RETURN]NEMA
Vibration resistance	7 gn 2...500 Hz)IEC 60068-2-6
Shock resistance	50 gn IEC 60068-2-27

Ordering and shipping details

Category	21426-9001 K (NOT KA,KM,KX)
Discount Schedule	CS1
GTIN	785901589594
Returnability	No
Country of origin	MX

Packing Units

Unit Type of Package 1	PCE
Number of Units in Package 1	1
Package 1 Height	1.80 in (4.572 cm)
Package 1 Width	2.10 in (5.334 cm)
Package 1 Length	3.60 in (9.144 cm)
Package 1 Weight	5.44 oz (154.221 g)

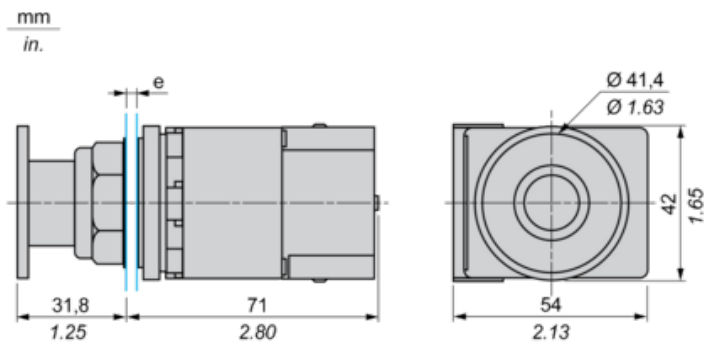
Offer Sustainability

Sustainable offer status	Green Premium product
California proposition 65	WARNING: This product can expose you to chemicals including: Lead and lead compounds, which is known to the State of California to cause cancer and birth defects or other reproductive harm. For more information go to www.P65Warnings.ca.gov
REACH Regulation	REACH Declaration
EU RoHS Directive	Pro-active compliance (Product out of EU RoHS legal scope)
Mercury free	Yes
China RoHS Regulation	China RoHS Declaration
RoHS exemption information	Yes
Environmental Disclosure	Product Environmental Profile
Circularity Profile	No need of specific recycling operations
WEEE	The product must be disposed on European Union markets following specific waste collection and never end up in rubbish bins.

Contractual warranty

Warranty	18 months
----------	-----------

Dimensions



e panel thickness: 1 to 6 mm / 0.04 to 0.24 in.

Contact Block Mounting Position

Top and Rear views



- (1) It is possible to mount up to 3 levels of contacts blocks (maximum of 6 contacts blocks)
- (2) Operator
- (3) Locating notch
- (4) Side 1
- (5) Side 2

Panel Cut-Out

Clearance



Legend plate	a min.		b min.	
	mm	in.	mm	in.
9001KN2••	57.2	2.25	44.5	1.75
9001KN3••	57.2	2.25	50.8	2.00

Individual Cut-outs Details

2 alternatives

mm
in.

