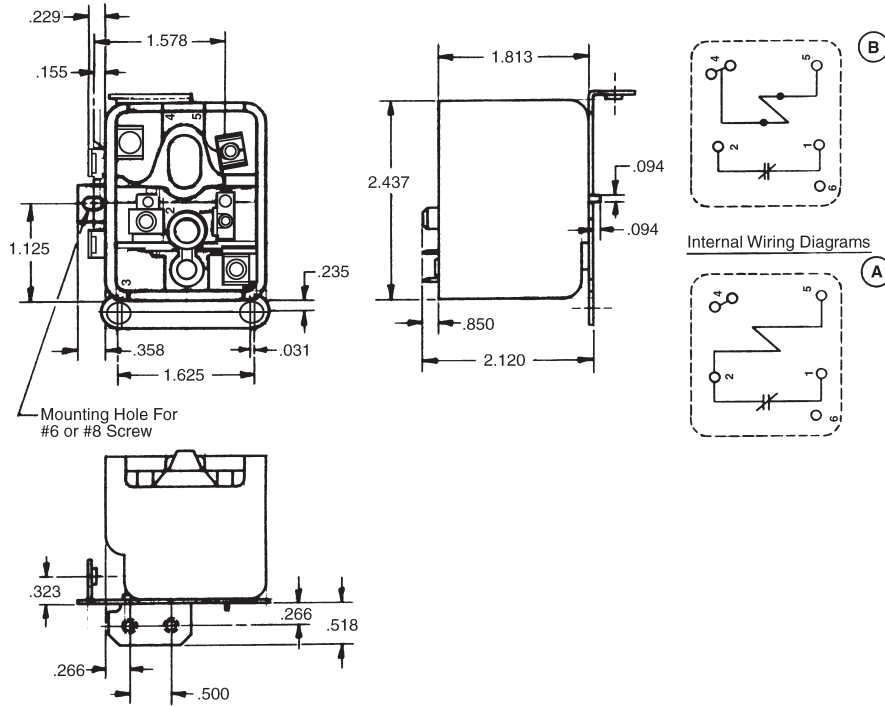


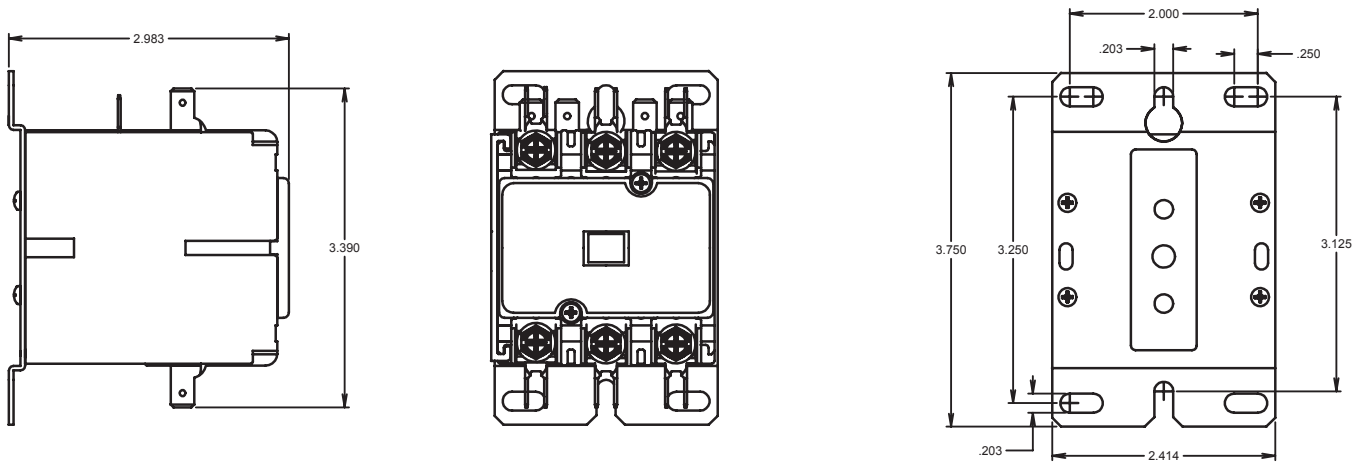
TRANSFORMERS AND RELAYS		
Model(s)	Description	Page(s)
90-63 / 90-160 thru 90-172	Outline Drawings.....	222
90-244 thru 90-249 / 90-340 thru 90-342	Outline Drawings.....	223

**RELAY
OUTLINE DRAWINGS**

90-63



90-160 thru 90-172



TECHNICAL HELP