



## Main

Accessory / separate part designation	5-wire connector adaptor
Accessory / separate part category	Cabling accessories
Accessory / separate part type	Connector adaptor
Cable composition	5 x 1 mm <sup>2</sup>
Thread type	Pg 13.5
[In] rated current	6 A

## Complementary

Cable length	3.94 in (100 mm)
Total number of wires	5
Electrical connection	1 male connector 5 straight
Cable connector fixing	Screw-on
Body material	Metal
Insulation resistance	> 1000000000 Ohm
Maximum resistance across terminals	5000 mOhm
[Ue] rated operational voltage	250 V AC 300 V DC
Net weight	0.11 lb(US) (0.05 kg)

## Environment

IP degree of protection	IP67
Ambient air temperature for operation	-13...176 °F (-25...80 °C)

## Packing Units

Unit Type of Package 1	PCE
Number of Units in Package 1	1
Package 1 Weight	1.66 oz (47 g)
Package 1 Height	1.57 in (4 cm)
Package 1 width	1.77 in (4.5 cm)
Package 1 Length	5.91 in (15 cm)

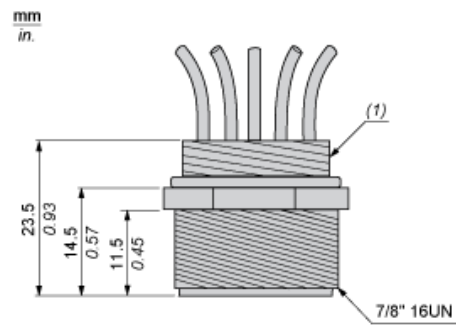
**Offer Sustainability**

REACH Regulation	<a href="#">REACH Declaration</a>
EU RoHS Directive	Pro-active compliance (Product out of EU RoHS legal scope) <a href="#">EU RoHS Declaration</a>
Mercury free	Yes
RoHS exemption information	<a href="#">Yes</a>

**Contractual warranty**

Warranty	18 months
----------	-----------

Dimensions

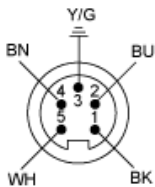


(1) Pg 13.5 cable gland

---

Connections and Schemes

---



- BN : Brown
- BK : Black
- BU : Blue
- Y/G : Yellow / Green
- WH : White