

## Horns

## Overview

Modern contour styling complements new concepts in building design and decor. Low-current, high decibel vibrating horns for heavy-duty use. Available in flush, grille, projector and weatherproof models. Shipped completely preassembled to speed installation, simplify inventory and reduce loss.

Low current drain for long line runs. An adjustment screw on the front of the horn provides sound output adjustment over a 25 dB range (from 78 to 103 dB). Long life - (rated 200 hours DC, 400 hours AC - at 50% duty cycle). Wide operating range (-20% to +15% of nominal voltage). Convenient Adaptaplate mounting. Durable bonderized sage grey finish. Heavy-duty die-cast housing. Modern, low-silhouette styling.

## Flush Type

For neat, flush wall or panel installation. Projects less than 1" from mounting surface. Attractive trim plate conceals wall irregularities. Trim plate supplied with each unit. Horn mounts in a Cat. No 870B wallbox. Order wallbox separately.

## Semi Flush/Panel Mount Type

Designed for semi-flush panel mounting, also suitable for installation on 4" square box. Supplied with trim gasket. Volume adjustable screw is conveniently located on front of horn. Installation template included. NEMA 4X rating.

## Grille Type

Designed to channel the sound in a particular direction without decibel loss. Convenient, simple Adaptaplate mounting on any single gang box or 3-1/4", 3-1/2", or 4" octagon box or 4" square box.

## Weatherproof Type

For outdoor applications. Die-cast weatherproof box with bonderized sage grey finish. Mounts on conduit or any flat surface using 3" (76.2) diameter bolt circle. Drilled and tapped 3/4", 14 NPT on top, knock-outs are provided bottom and rear. Two plugs supplied. NEMA 4X rating.

## Standard Features

- **Completely assembled**
- **AC or DC types**
- **CSA certified**
- **Adjustable volume 78-103 dB**
- **NEMA 4X models available**

## Applications

Wherever a distinctive, urgent signal is required for timing, scheduling, paging, general alarm and warning applications. Grille or flush models for use in panel boards, machinery, scoreboards, etc. Weatherproof models for exterior installations.

Flush Type



Flush Type

Semi Flush/  
Panel Mount Type

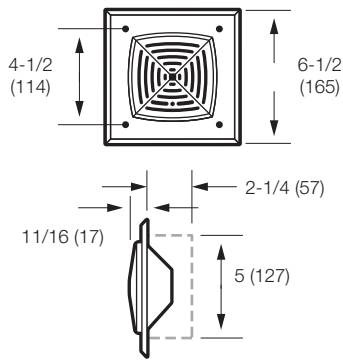
Weatherproof Type

## Adaptahorn Vibrating Horns

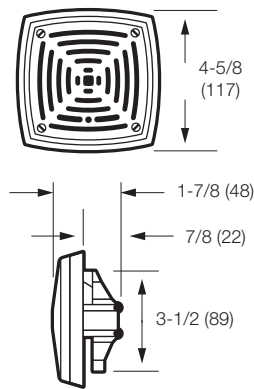
870 Series

# Horns

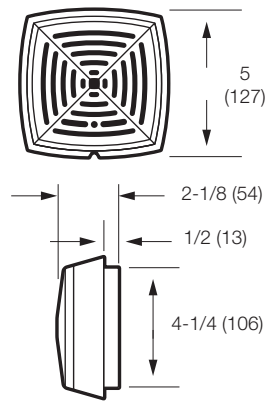
»» CONTINUED...



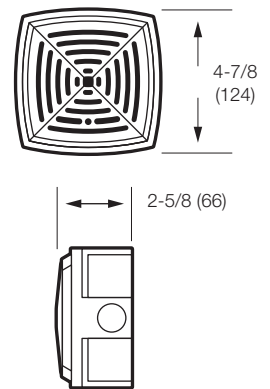
**Flush Type**



**Semi-Flush Type/  
Panel Mount Type**



**Grille Type**



**Weatherproof  
Type**

## Ordering Information

### DC Series

Cat. No.	Type	Volts DC	Amps	VA	DC Coil Res. (Ohms)	dB at 10'(3M)
871-G1	Flush**	24	.16	3.5	24	101
871P-G1	Panel	24	.16	3.5	24	101
875-E1	Grille	12	.27	3.5	6	101
875-G1		24	.16	3.5	24	
875-P1		125	.025	3.5	600	
875-S1		250	.014	3.5	2400	
877-E1	Weatherproof	12	.29	3.5	6	101
877-G1		24	.16	3.5	24	

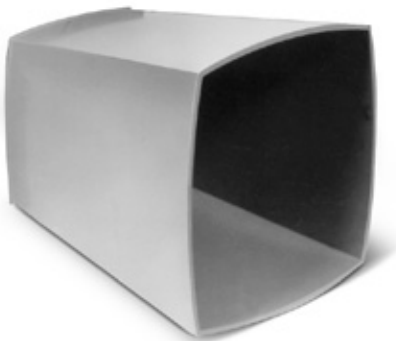
\*\*Requires 870B wallbox. Order separately.

### AC Series

Cat. No.	Type	Volts AC*	Amps	VA	DC Coil Res. (Ohms)	dB at 10'(3M)
870-E5	Flush	12	1.25	15	1.3	103
870-G5		24	.63	15	5.2	
870-N5		120	.13	15	150	
870P-N5	Panel	120	.13	15	150	103
874-E5	Grille	12	1.25	15	1.3	103
874-G5		24	.63	15	5.2	
874-N5		120	.13	15	150	
874-R5		240	.06	15	580	
876-G5	Weatherproof	24	.63	15	5.2	103
876-N5		120	.13	15	150	

\* 50/60Hz

## Adaptahorn Accessories



## Ordering Information

Cat. No.	Description
872-PO	Plastic projector for 870, 871, 871P, 874, 875, 876, 877. Available only as separate item

