



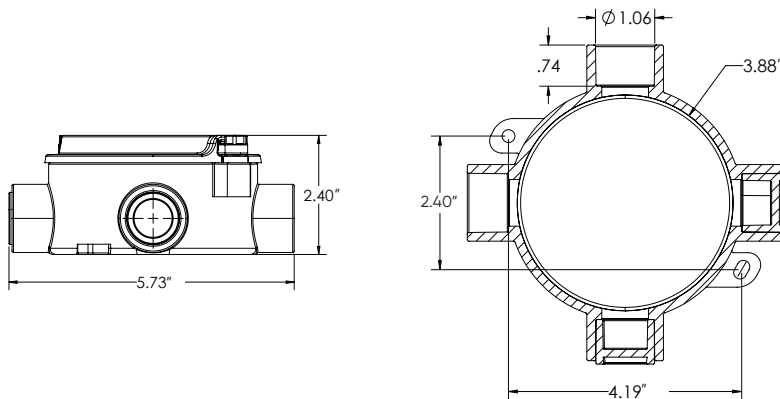
BULLETIN

SCEPTER® RBox™ Round Electrical Box

The Scepter® RBox™ is the next generation round electrical box featuring IPEX's KwikTab™ fasteners as found on the JBox™. Fully non-metallic, made from high-impact and corrosion-resistant PVC and fit for wet-location applications, the RBox™ is the upgraded Octagonal Box (OB15) and is packed with contractor-friendly features.

The RBox™ features IPEX's patent-pending KwikTab™ fasteners, designed for easy hand closure and #2 Phillips screwdriver-assisted lid opening. It has a press-in lid with integrated O-ring for easy installation and wet-location compatibility. The 4" x 2" molded box includes 3/4" hubs and offers 28% more internal volume than the current octagonal box.

An additional advantage of the RBox™ is its updated plug design which features a cut-out on the surface for easy insertion with the thumb into the hub (hub plugs are also available for purchase separately). The mounting feet have been re-engineered parallel and rounded to be more convenient and able to fit onto a 2x4 piece of wood, while including a fine-tuning tab for installation flexibility and adjustments.



Product Code	Part Number	Description
277168	RBX15	PVC Round Electrical Box w/ 3/4" Hubs
277169	HP15	3/4" PVC Hub Plug

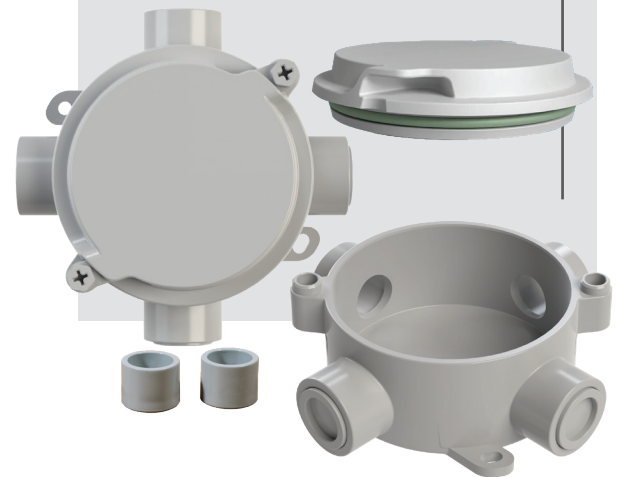
Features & Benefits

- KwikTab™ fasteners (hand-close, tool open)
- Press-in Lid with integrated O-ring
- 3/4" hubs
- Redesigned plugs
- Redesigned mounting feet/tabs
- 28% more internal volume (compared to current octagonal box)
- Aesthetic round shape

Standards



CSA C22.2 No. 85
UL 514C



Contact us

Visit our website: ipexna.com

Toll free CA: (866) 473-9462

