

STBDAO8210K

standard digital output kit - Modicon STB -
115..230 V AC - 2 O



Main

Range of Product	Modicon STB distributed I/O solution
Product or Component Type	Standard digital output kit
Kit composition	STBXTS1100, 5-terminal screw type connector STBDAO8210 module STBXTS2110, 5-terminal spring clamp connector STBXBA2000 base
Discrete output number	2
Discrete output type	Triac
Discrete output voltage	115...230 V
Discrete output voltage type	AC

Complementary

Discrete output current	1000 mA 140 °F (60 °C) 2000 mA 86 °F (30 °C)
Discrete output logic	Positive or negative
Output voltage	20...265 V AC
Absolute maximum voltage	300 V 10 s 400 V 20 ms
Response Time	10 ms off-to-on 10.5 ms on-to-off
Cold swapping	Yes
Hot swapping	Yes for standard NIMs
Fallback	State 0 basic NIMs User configurable standard NIMs
Protection type	Output surge protection varistance and RC circuit
Insulation between channels and logic bus	1780 V for 1 minute
Maximum leakage current	2 MA at state 0 115 V 2.5 mA at state 0 230 V
Surge current	20 A 40 ms 30 A 20 ms
Minimum load	5 mA
Reset	Manual or automatic reset COM fault
Product Compatibility	I/O base STBXBA2000 Power distribution module STBPDT2100/2105
Supply	Power distribution module
Current consumption	45 mA 5 V DC logic bus
Marking	CE
Overvoltage category	II
Status LED	1 LED (Green) module status (RDY) 1 LED per channel (Green) channel status (OUT1 to OUT2) 1 LED (Red) module error (ERR)
Height	0.72 in (18.4 mm)
Depth	2.76 in (70 mm)
Width	5.05 in (128.3 mm)
Net Weight	0.28 lb(US) (0.125 kg)

The information provided in this documentation contains general descriptions and/or technical characteristics of the performance of the products contained herein. This documentation is not intended as a substitute for and is not to be used for determining suitability or reliability of these products for specific user applications. It is the duty of any such user or integrator to perform the appropriate and complete risk analysis, evaluation and testing of the products with respect to the relevant specific application or use thereof. Neither Schneider Electric Industries SAS nor any of its affiliates or subsidiaries shall be responsible or liable for misuse of the information contained herein.

Environment

Standards	IEC 61131-2
Product Certifications	UL[RETURN]CSA[RETURN]FM Class 1 Division 2
Pollution degree	2 IEC 60664-1
Operating altitude	<= 6561.68 ft (2000 m)
IP degree of protection	IP20 conforming to IEC 61131-2 class 1
Ambient air temperature for operation	32...140 °F (0...60 °C) without derating)
Ambient air temperature for operation	32...140 °F without derating
Ambient air temperature for storage	-40...185 °F (-40...85 °C) without derating
Ambient air temperature for storage	-40...185 °F without derating
Relative humidity	95 % 140 °F (60 °C) without condensation
Vibration resistance	3 gn 58...150 Hz 35 x 7.5 mm symmetrical DIN rail 5 gn 58...150 Hz 35 x 15 mm symmetrical DIN rail +/-0.35 mm 10...58 Hz
Shock resistance	30 gn 11 ms IEC 88 reference 2-27


Ordering and shipping details

Category	18215-ADVANTYS STB I/O
Discount Schedule	PC32
GTIN	3595863988925
Returnability	No
Country of origin	ID

Packing Units

Unit Type of Package 1	PCE
Number of Units in Package 1	1
Package 1 Height	1.06 in (2.7 cm)
Package 1 Width	3.15 in (8.0 cm)
Package 1 Length	5.12 in (13.0 cm)
Package 1 Weight	5.01 oz (142.0 g)
Unit Type of Package 2	S02
Number of Units in Package 2	28
Package 2 Height	5.91 in (15.0 cm)
Package 2 Width	11.81 in (30.0 cm)
Package 2 Length	15.75 in (40.0 cm)
Package 2 Weight	8.77 lb(US) (3.976 kg)
Unit Type of Package 3	PAL
Number of Units in Package 3	448
Package 3 Height	23.62 in (60.0 cm)
Package 3 Width	31.50 in (80.0 cm)
Package 3 Length	176.38 in (448.0 cm)
Package 3 Weight	140.25 lb(US) (63.616 kg)

Offer Sustainability

California proposition 65	WARNING: This product can expose you to chemicals including: Lead and lead compounds, which is known to the State of California to cause cancer and birth defects or other reproductive harm. For more information go to www.P65Warnings.ca.gov
REACH Regulation	 REACH Declaration
EU RoHS Directive	Pro-active compliance (Product out of EU RoHS legal scope)
Mercury free	Yes
China RoHS Regulation	 China RoHS Declaration
RoHS exemption information	 Yes
WEEE	The product must be disposed on European Union markets following specific waste collection and never end up in rubbish bins.

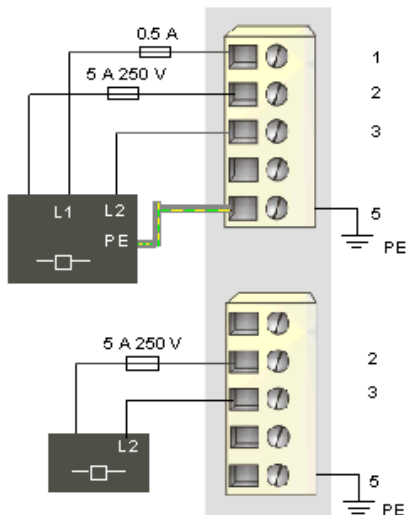
Contractual warranty

Warranty	18 months
----------	-----------

Wiring Diagram

Example

1 three-wire actuator and 1 two-wire actuator



Pin	Top Connector	Bottom Connector
1	actuator bus power (L1)	actuator bus power (L1)
2	output to actuator 1 (common with L1)	output to actuator 2 (common with L1)
3	field power neutral or L2	field power neutral or L2
4	field power neutral or L2	field power neutral or L2
5	protective earth	protective earth