



Main

Range of Product	Lexium integrated drive
Product or Component Type	Motion integrated drive
Device short name	ILP
Motor Type	2-phase stepper motor
Network type	DC
Electrical Connection	Flying leads
[Us] rated supply voltage	24...48 V
Length	3.88 in (98.55 mm)
Winding type	Medium speed of rotation and medium torque
Gear box type	Without
Nominal speed	300 rpm 24 V 450 rpm 48 V
Holding torque	12.75 lbf.in (1.44 N.m)

Complementary

Communication interface	RS485
Transmission Rate	4.8, 9.6, 19.2, 38.4, 115 kbauds
Mounting Support	Flange
Motor flange size	2.24 in (57 mm)
Feedback type	Index pulse
Holding brake	Without
Supply voltage limits	12...48 V
Current consumption	3.2 A maximum continuous
Input/output type	4 signals (each be used as input or output)
Voltage state 0 guaranteed	<= 0.8 V
Voltage state 1 guaranteed	>= 2.2 V
Discrete input current	1.75 mA at 24 V 24 V signal interface
Maximum switching current	275 MA four channels 600 mA single channel
Protection Type	Overload of output voltage Short circuit of the output voltage
Peak stall torque	12.75 lbf.in (1.44 N.m)
Continuous stall torque	12.75 lbf.in (1.44 N.m)
Speed feedback resolution	1000 steps 10000 steps 12800 steps 1600 steps 200 steps 2000 steps 20000 steps 25000 steps 25600 steps 3200 steps 400 steps 40000 steps 5000 steps 50000 steps 51200 steps 6400 steps 800 steps
Accuracy error	+/- 0.3 arc/min

The information provided in this documentation contains general descriptions and/or technical characteristics of the products of the performance of the products contained herein. This documentation is not intended as a substitute for and is not to be used for determining suitability or reliability of these products for specific user applications. It is the duty of any such user or integrator to perform the appropriate and complete risk analysis, evaluation and testing of the products with respect to the relevant specific application or use thereof. Neither Schneider Electric Industries SAS nor any of its affiliates or subsidiaries shall be responsible or liable for misuse of the information contained herein.

Rotor inertia	0.46 kg.cm ²
Service life in hours	20000 h
Marking	CE
Net Weight	2.45 lb(US) (1.11 kg)

Environment

Standards	IEC 61000-4-11 IEC 61000-4-5 EMC immunity IEC 61000-4-2 EN 61000-3-3:1995, A1:2001, A2:2005 IEC 61000-4-6 IEC 61000-4-3 EN 55011:2007, A2:2007 for Group 1, Class A EN 61000-3-2 : 2006 IEC 61000-4-4
Ambient air temperature for operation	122...149 °F (50...65 °C) with power derating of 2 % per °C) 32...122 °F (0...50 °C) without derating)
Permissible ambient air temperature around the device	212 °F (100 °C)
Ambient Air Temperature for Storage	-13...158 °F (-25...70 °C)
Operating altitude	<= 3280.84 ft (1000 m) without derating
Relative humidity	15...85 % without condensation
IP degree of protection	Total except shaft bushing IP20 EN/IEC 60034-5 Shaft bushing IP41 EN/IEC 60034-5

Ordering and shipping details

Category	11300-MISC. ITEMS
Discount Schedule	NET
GTIN	3606480157080
Returnability	No

Packing Units

Unit Type of Package 1	PCE
Number of Units in Package 1	1
Package 1 Height	3.54 in (9.0 cm)
Package 1 Width	5.31 in (13.5 cm)
Package 1 Length	7.80 in (19.8 cm)
Package 1 Weight	2.93 lb(US) (1.33 kg)
Unit Type of Package 2	S03
Number of Units in Package 2	8
Package 2 Height	11.81 in (30.0 cm)
Package 2 Width	11.81 in (30.0 cm)
Package 2 Length	15.75 in (40.0 cm)
Package 2 Weight	25.03 lb(US) (11.353 kg)

Offer Sustainability

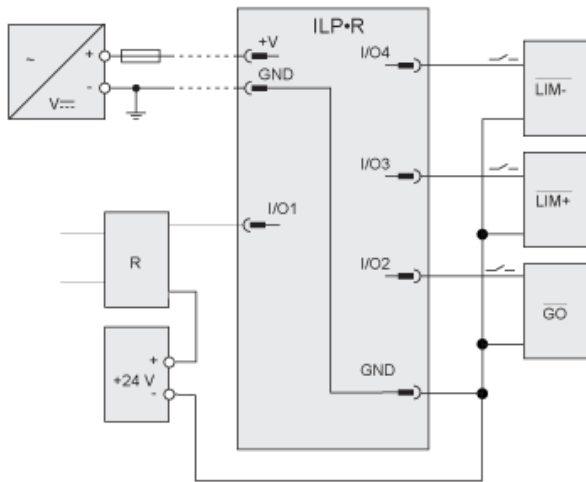
California proposition 65	WARNING: This product can expose you to chemicals including: Lead and lead compounds, which is known to the State of California to cause cancer and birth defects or other reproductive harm. For more information go to www.P65Warnings.ca.gov
REACH Regulation	 REACH Declaration
EU RoHS Directive	Pro-active compliance (Product out of EU RoHS legal scope)
Mercury free	Yes
China RoHS Regulation	 China RoHS Declaration
RoHS exemption information	 Yes
WEEE	The product must be disposed on European Union markets following specific waste collection and never end up in rubbish bins.
PVC free	Yes

Contractual warranty

Warranty	18 months
----------	-----------

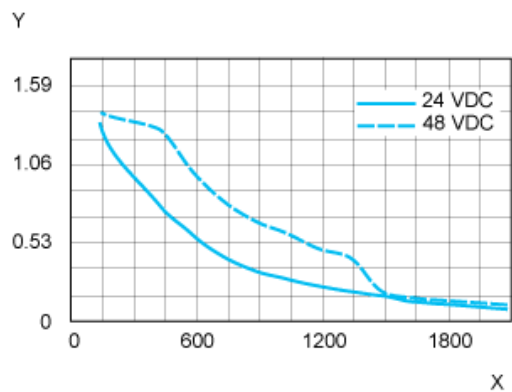
Connection Example with 4 I/O Signals

Three sinking inputs (I/O4 - I/O2) and a sourcing output (I/O1).



R Relay

Torque Characteristics



X Speed of rotation in rpm
Y Torque in Nm