



## Main

Range of Product	Modicon X80
Product or Component Type	Discrete input module
Discrete input number	8
Discrete input type	Isolated per channel
Input type	Capacitive
Discrete input voltage	100...120 V AC
Discrete input current	5 mA

## Complementary

Input compatibility	2-wire proximity sensor IEC 60947-5-2 2-wire proximity sensor IEC 61131-2 type 3
Network Frequency	50/60 Hz
Network frequency limits	47...63 Hz
Sensor power supply	85...132 V
Current state 1 guaranteed	$\geq 2.5$ mA
Current state 0 guaranteed	$\leq 1$ mA
Input impedance	13000 Ohm
Insulation resistance	$> 10$ MOhm 500 V DC
Power dissipation in W	2.35 W
AC activation response time	10 ms
AC deactivation response time	20 ms
Typical current consumption	61 mA 3.3 V DC
MTBF reliability	1500000 H
Protection type	1 external fuse per channel 0.25 A fast blow
Status LED	1 LED (Green) module operating (RUN) 1 LED per channel (Green) channel diagnostic 1 LED (Red) module error (ERR) 1 LED (Red) module I/O
Net Weight	0.25 lb(US) (0.115 kg)

## Environment

IP Degree of Protection	IP20
Directives	2014/35/EU - low voltage directive 2014/30/EU - electromagnetic compatibility
Dielectric strength	1780 V AC 50/60 Hz 1 min
Vibration resistance	3 gn
Shock resistance	30 gn
Ambient Air Temperature for Storage	-40...185 °F (-40...85 °C)
Ambient Air Temperature for Operation	32...140 °F (0...60 °C)
Relative humidity	5...95 % 131 °F (55 °C) without condensation
Operating altitude	0...6561.68 ft (0...2000 m) 2000...5000 m with derating factor

## Ordering and shipping details

Category	18160-MODICON M340
Discount Schedule	PC34
GTIN	3595864181516
Returnability	No
Country of origin	FR

## Packing Units

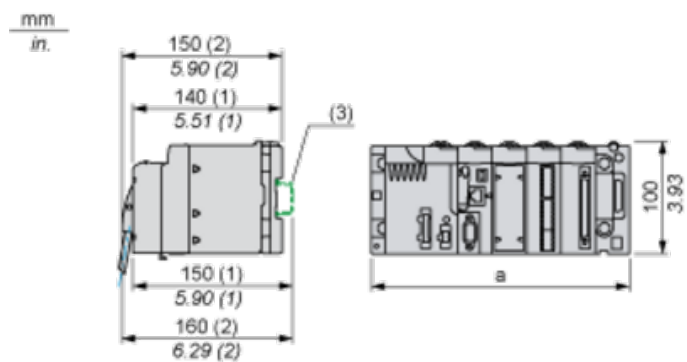
Unit Type of Package 1	PCE
Number of Units in Package 1	1
Package 1 Height	2.17 in (5.500 cm)
Package 1 Width	4.33 in (11.000 cm)
Package 1 Length	4.72 in (12.000 cm)
Package 1 Weight	5.36 oz (152.000 g)
Unit Type of Package 2	S02
Number of Units in Package 2	15
Package 2 Height	5.91 in (15.000 cm)
Package 2 Width	11.81 in (30.000 cm)
Package 2 Length	15.75 in (40.000 cm)
Package 2 Weight	5.60 lb(US) (2.540 kg)

## Offer Sustainability

California proposition 65	WARNING: This product can expose you to chemicals including: Lead and lead compounds, which is known to the State of California to cause cancer and birth defects or other reproductive harm. For more information go to <a href="http://www.P65Warnings.ca.gov">www.P65Warnings.ca.gov</a>
REACH Regulation	<a href="#">REACH Declaration</a>
EU RoHS Directive	Pro-active compliance (Product out of EU RoHS legal scope)
Mercury free	Yes
China RoHS Regulation	<a href="#">China RoHS Declaration</a>
RoHS exemption information	<a href="#">Yes</a>
WEEE	The product must be disposed on European Union markets following specific waste collection and never end up in rubbish bins.

Modules Mounted on Racks

Dimensions



(1) with removable terminal block (cage, screw or spring)

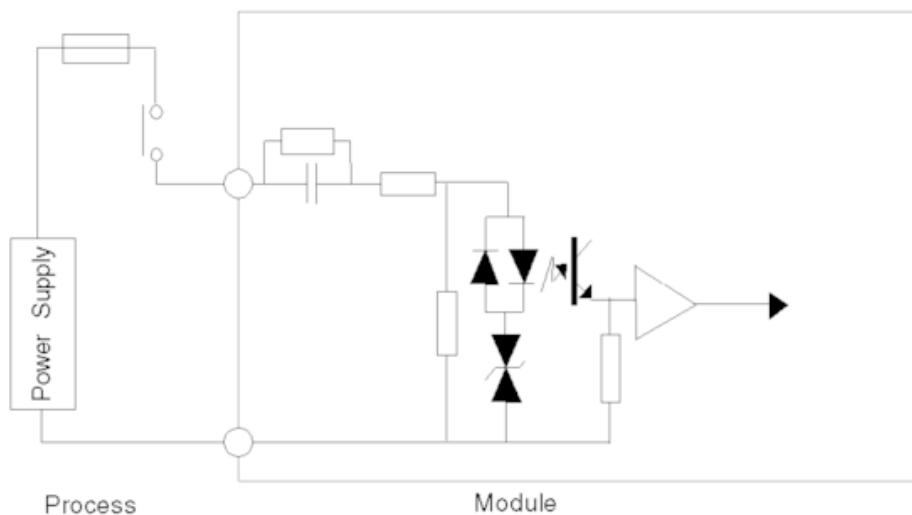
(2) with FCN connector

(3) on AM1 ED rail: 35 mm wide, 15 mm deep. Only possible with BMEXBP0400/0400H/0800/0800H/1200/1200H rack.

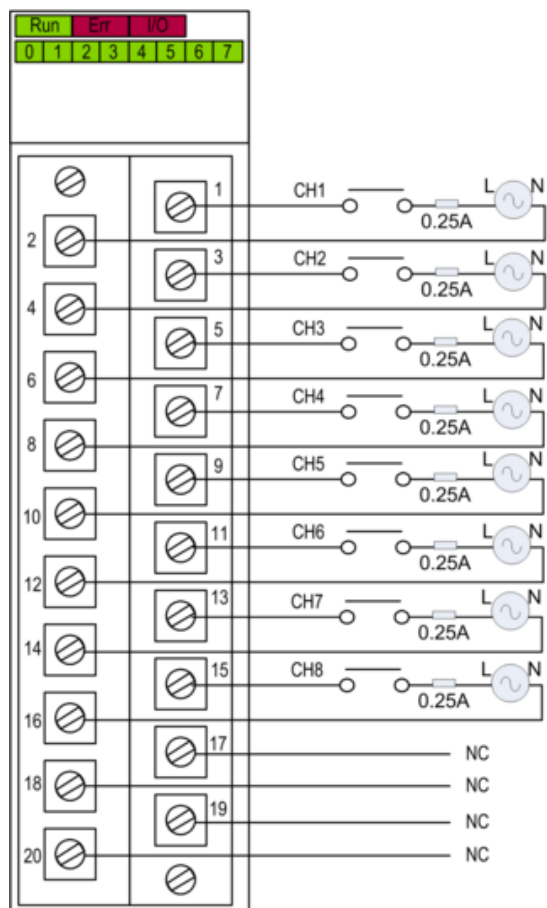
	a (in mm)	a (in in.)
BMEXBP0400 and BMEXBP0400H	242.4	09.54
BMEXBP0800 and BMEXBP0800H	372.8	14.68
BMEXBP1200 and BMEXBP1200H	503.2	19.81

Connecting the Module

Input Circuit Diagram



Module Connection



power supply: 100...120 VAC

fuse: fast blow fuse of 0.25A

NC not connected