

ORDERING INFORMATION

Order code: 59771
 Description: E432T8IS347/H/90C
 UPC: 69549597716



SPECIFICATIONS

Ballast type: Electronic
Starting method: Instant Start
Lamp connection: Parallel
Input voltage (V): 347
Input frequency (Hz): 60
Max. case temperature: 90 °C
Thermal protection: Class P

Type: 1 Outdoor
Contains PCBs: No
Sound rating: A
Open current voltage (OCV) (V): 600
Inherent thermal protection: Yes
Lamp protection circuit: Yes
ICES-005 Compliant: Class A RFLD
Auto-restrike: Yes



Lamp type	Number of lamps	Rated lamp watts	Min. start temp. (°F / °C)	Input current (A)	Input power (ANSI watts)	Ballast factor	Max THD (%)	Power factor	Max. lamp current crest factor	B.E.F.
347 VOLTS										
F32T8 (32W)	4	32	0/-18	0.41	140	1.10	10	0.99	1.7	0.79
F32T8/ES (30W)	4	30	60/16	0.38	129	1.10	10	0.99	1.7	0.85
F32T8/ES (28W)	4	28	60/16	0.35	120	1.10	10	0.99	1.7	0.92
F32T8/ES (25W)	4	25	60/16	0.32	110	1.10	10	0.99	1.7	1.00
F25T8 (25W)	4	25	0/-18	0.29	101	1.20	15	0.99	1.7	1.19
F17T8 (17W)	4	17	0/-18	0.23	78	1.26	15	0.97	1.7	1.62
F32T8 (32W)	3	32	0/-18	0.32	110	1.15	10	0.99	1.7	1.05
F32T8/ES (30W)	3	30	60/16	0.29	102	1.15	10	0.99	1.7	1.13
F32T8/ES (28W)	3	28	60/16	0.31	95	1.15	10	0.99	1.7	1.21
F32T8/ES (25W)	3	25	60/16	0.26	88	1.15	10	0.99	1.7	1.31
F25T8 (25W)	3	25	0/-18	0.26	88	1.25	15	0.98	1.7	1.42
F17T8 (17W)	3	17	0/-18	0.21	73	1.37	20	0.95	1.7	1.88
F40T8 (40W)	3	40	32/0	0.37	127	1.20	10	0.99	1.7	0.94

WARRANTY:

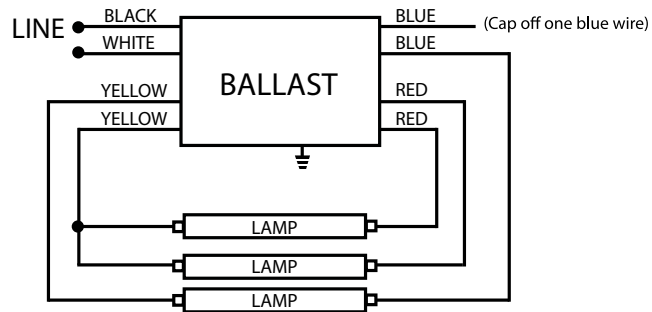
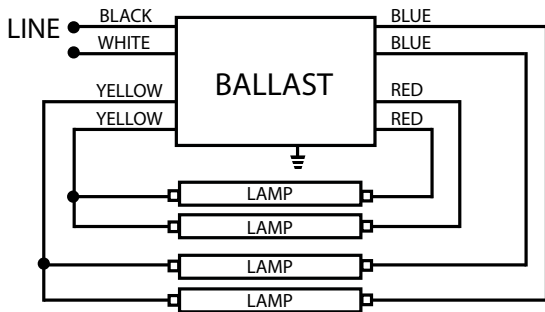
Ballast warranty of 5 years for electronic ballast 75 °C. Ballast warranty of 3 years for electronic ballast 90 °C. For more information visit our website.

Data is based upon tests performed in a controlled environment and representative of relative performance. Actual performance can vary depending on operating conditions. Specifications are subject to change without notice. March 9, 2015

ORDERING INFORMATION

Order code: 59771
 Description: E432T8IS347/H/90C
 UPC: 69549597716

WIRING DIAGRAM

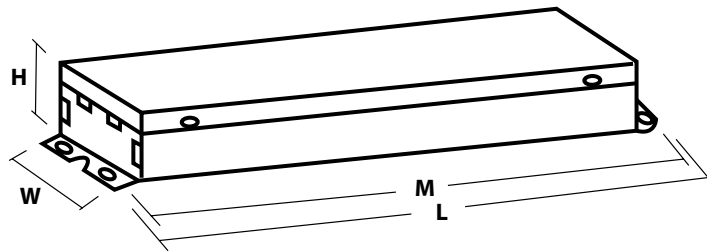


LEADS LENGTH

Black	18.0" (48.0 cm)
White	18.0" (48.0 cm)
Blue	30.9" (78.5 cm)
Red	30.9" (78.5 cm)
Yellow	46.0" (116.84 cm)

BALLAST DIMENSIONS

Length (L):	9.50" (24.1 cm)
Width (W):	1.70" (4.3 cm)
Height (H):	1.14" (2.9 cm)
Mounting (M):	8.90" (22.6 cm)



WARRANTY:

Ballast warranty of 5 years for electronic ballast 75 °C. Ballast warranty of 3 years for electronic ballast 90 °C.
 For more information visit our website.

Data is based upon tests performed in a controlled environment and representative of relative performance.
 Actual performance can vary depending on operating conditions. Specifications are subject to change without notice.
 March 9, 2015