



Main

Range of Product	Modicon ETB
Product or Component Type	I/O distributed module
Number of input channels	1...16 configurable
Number of output channels	1...16 configurable)
Module type	Ethernet/IP

Complementary

Input type	Contact
Input logic	Negative Positive
Maximum delay response	2.5 ms
Output current	2 A per module 8 A per output
Output protection type	Against short-circuits
Switching frequency	200 Hz
Short-circuit current	6.5 A
[Us] rated supply voltage	24 V DC
Connector Type	M12
Standards	IEC 60068-2-8 IEC 60529

Environment

IP Degree of Protection	IP67
Ambient Air Temperature for Operation	-13...158 °F (-25...70 °C)
Ambient Air Temperature for Storage	-40...185 °F (-40...85 °C)
Vibration resistance	10 gn

Ordering and shipping details

Category	18215-ADVANTYS STB I/O
Discount Schedule	PC32
GTIN	3595864046600
Returnability	No
Country of origin	IE

Packing Units

Unit Type of Package 1	PCE
Number of Units in Package 1	1
Package 1 Height	1.57 in (4.000 cm)
Package 1 Width	2.40 in (6.100 cm)
Package 1 Length	8.90 in (22.600 cm)
Package 1 Weight	20.11 oz (570.0 g)
Unit Type of Package 2	S03

Number of Units in Package 2	30
Package 2 Height	11.81 in (30.000 cm)
Package 2 Width	11.81 in (30.000 cm)
Package 2 Length	15.75 in (40.000 cm)
Package 2 Weight	42.46 lb(US) (19.260 kg)

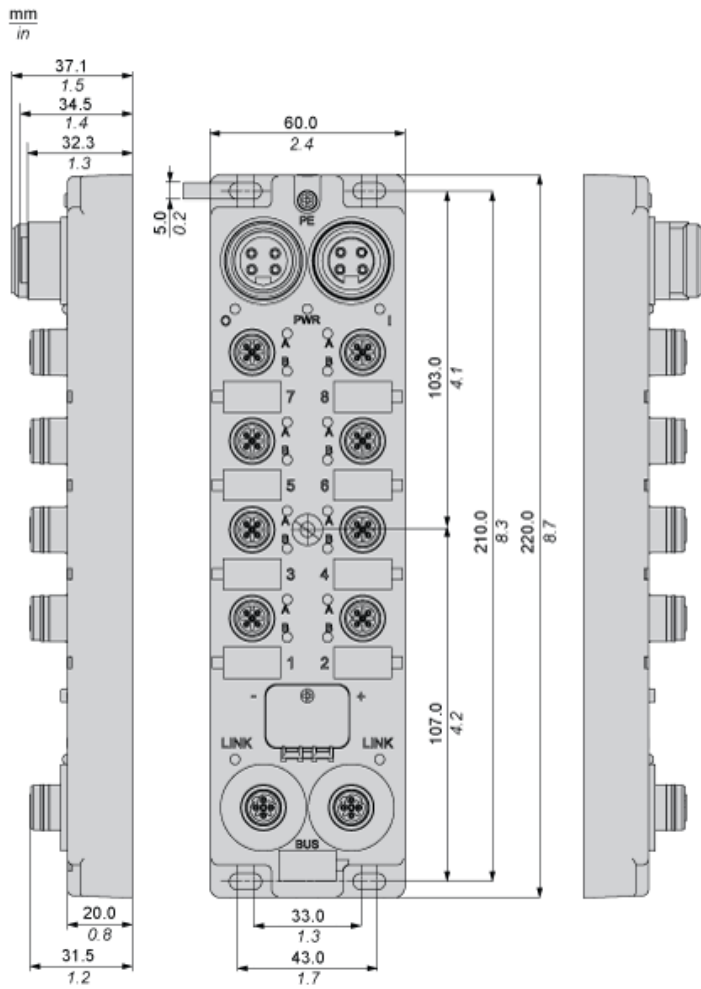
Offer Sustainability

California proposition 65	WARNING: This product can expose you to chemicals including: Lead and lead compounds, which is known to the State of California to cause cancer and birth defects or other reproductive harm. For more information go to www.P65Warnings.ca.gov
EU RoHS Directive	Pro-active compliance (Product out of EU RoHS legal scope) EU RoHS Declaration
China RoHS Regulation	China RoHS Declaration
WEEE	The product must be disposed on European Union markets following specific waste collection and never end up in rubbish bins.

Contractual warranty

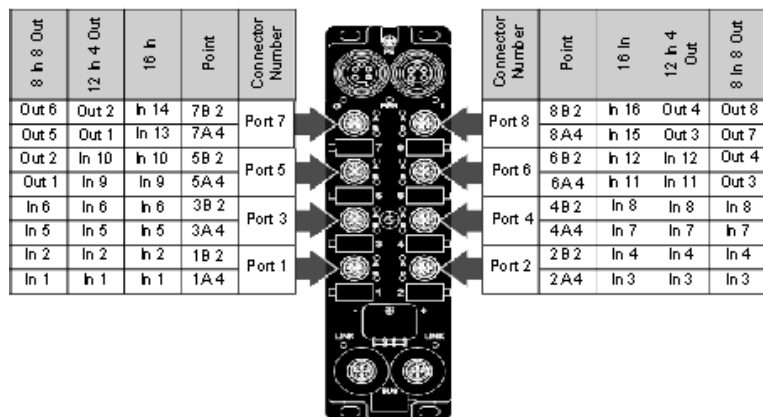
Warranty	18 months
----------	-----------

Dimensions

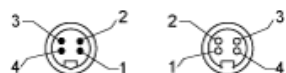


I/O Assignments

Select the number of inputs/outputs according to the product characteristics in order to get the I/O assignment.



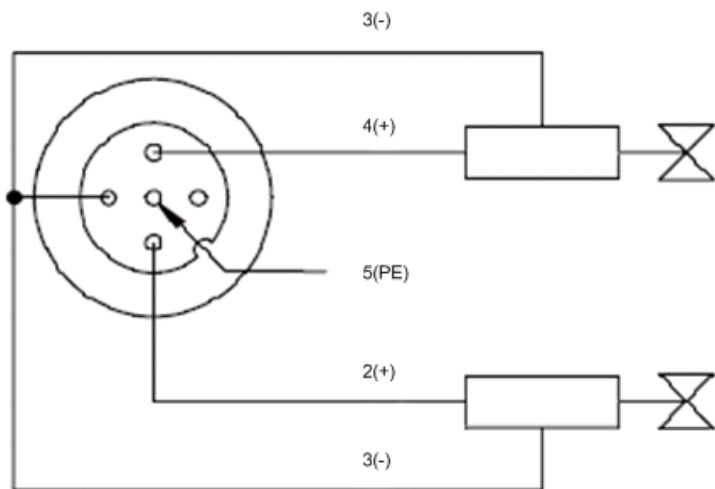
Power Connectors



- 1 Output Power 0V
- 2 Module/Input Power 0V
- 3 Output Power 24V
- 4 Module/Input Power 24V

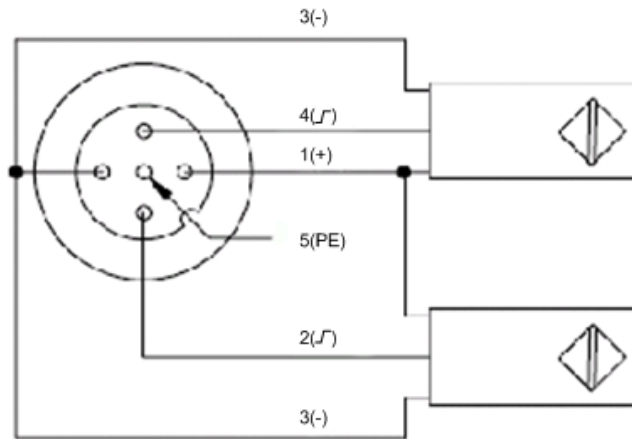
2-Output Port

IEC Wiring Diagram with 2 Actuators



2-Input Port

IEC Wiring Diagram with 2 Sensors



Input/Output Port

IEC Wiring Diagram with 1 Sensor and 1 Actuator

