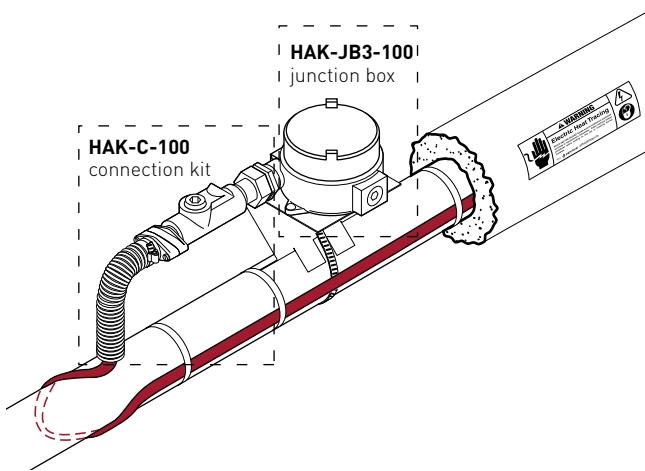


Raychem HAK-C-100, HAK-JB3-100

CONNECTION KIT AND JUNCTION BOX FOR CID1 HAZARDOUS LOCATIONS



PRODUCT OVERVIEW

The HAK-C-100 connection system is FM approved for use with Raychem brand HBTV, HQTV, HXTV, and FHP heating cables in Class I, Division 1 hazardous locations. It is also CSA certified for use with Raychem- brand BTV-CT, QTVR-CT, XTV-CT, VPL-CT, and LBTV2-CT heating cables in Class I, Division 1 locations.

The HAK-C-100 is a cold-applied connection kit that contains all of the materials required for sealing one heating cable entry into a junction box.

The HAK-JB3-100 is an explosion-proof, corrosion-resistant junction box that serves as a power connection, splice, tee, or end termination.

Each kit contains all the necessary materials for a complete installation except for the pipe straps and a UMB mounting bracket, which must be ordered separately.

KIT DESCRIPTION

	HAK-C-100	HAK-JB3-100
Note: Connection kit, junction box, mounting bracket, and pipe strap sold separately	<ul style="list-style-type: none"> 1 HAK subassembly: sealing fitting, nipple, and plugs 1 union 1 packing fiber 1 sealing compound 1 tubing clamp 1 compression gland with screws 1 compression gland with threaded inserts 5 grommets (B,C,E,K,R) 1 flex tube 1 terminal block (maximum: 6 AWG wire) 2 black heat-shrinkable tubes 1 clear yellow heat-shrinkable tube 1 green/yellow tube 1 CS-100 core sealer 	<ul style="list-style-type: none"> 1 coated aluminum housing 3 3/4-in (19 mm) NPT entries 2 plugs 1 grounding bar kit

APPROVALS

Hazardous Locations



Class I, Div. 1, Groups B, C, D
Class II, Div. 1, Groups E, F, G
Class III

Hazardous Locations

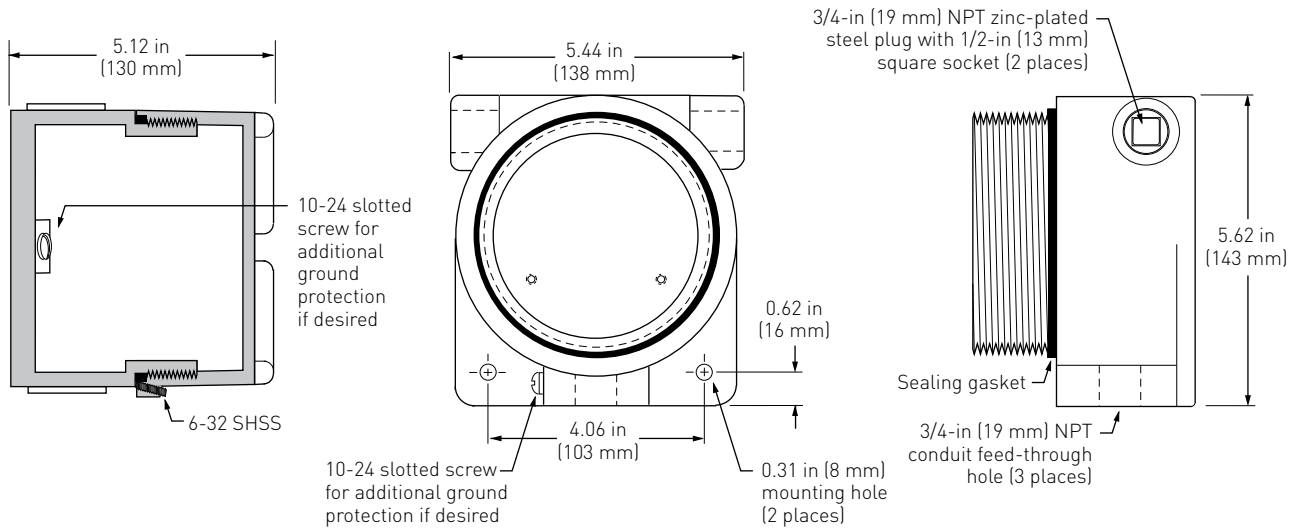


Class I, Div. 1, Groups B, C, D
Class II, Div. 1, Groups E, F, G
Class III

ORDERING DETAILS

Catalog number	HAK-C-100	HAK-JB3-100
Part number	014385-000	325925-000
Weight	3.0 lb (1.36 kg)	3.1 lb (1.4 kg)

HAK-JB3-100 JUNCTION BOX DIMENSIONS



MATERIALS REQUIRED PER CONNECTION TYPE

	Number of HAK-C-100 kits required	Number of holes used on the junction box	Universal mounting bracket (UMB)	Pipe strap
Power	1	2	1	1
Splice	2	2	1	1
Tee	3	3	1	1
End seal	1	1	1	1

MATERIALS OF CONSTRUCTION

Junction box Copper-free aluminum with corrosion-resistant polyester powder coating



WWW.PENTAIRTHERMAL.COM

NORTH AMERICA

Tel: +1.800.545.6258
Fax: +1.800.527.5703
Tel: +1.650.216.1526
Fax: +1.650.474.7711
thermal.info@pentair.com

EUROPE, MIDDLE EAST, AFRICA

Tel: +32.16.213.511
Fax: +32.16.213.603
thermal.info@pentair.com

ASIA PACIFIC

Tel: +86.21.2412.1688
Fax: +86.21.5426.2937
cn.thermal.info@pentair.com

LATIN AMERICA

Tel: +1.713.868.4800
Fax: +1.713.868.2333
thermal.info@pentair.com

Pentair, HAK, HBTV, HQTV, HXTV, BTV, QTVR, XTV, VPL, and LBTV2 are owned by Pentair or its global affiliates. All other trademarks are the property of their respective owners. Pentair reserves the right to change specifications without prior notice.

© 2001–2016 Pentair.