



## Main

|                               |             |
|-------------------------------|-------------|
| Range of Product              | Harmony XB5 |
| Product or Component Type     | Timer       |
| Sale per indivisible quantity | 1           |

## Complementary

|                                       |  |
|---------------------------------------|--|
| Bezel material                        | Plastic  |
| Fixing collar material                | Plastic  |
| Mounting diameter                     | 0.87 in (22 mm)  |
| Panel Thickness                       | 0.04...0.24 in (1...6 mm)  |
| Shape of signaling unit head          | Round  |
| Time delay range                      | 3...60 min   |
| Time delay type                       | A  |
| Repeat accuracy                       | +/- 0.5 %  |
| Setting accuracy of time delay        | +/- 10 % of full scale 77 °F (25 °C) IEC 61812-1   |
| Temperature Drift                     | +/- 0.05 %/°C  |
| Voltage drift                         | +/- 0.2 %/V  |
| Protection Type                       | Overvoltage protection   |
| Pollution degree                      | 3 IEC 60664-1  |
| Output Type                           | Thyristor  |
| Temporary permissible current         | 10 A 0.01 s  |
| Minimum switching current             | 10 mA  |
| Voltage drop in closed state          | 5 V  |
| Residual current in open state        | 5 mA   |
| Power Consumption in W                | 1 W  |
| Power Consumption in VA               | 1.5 VA   |
| Reset time                            | 30 Ms after time delay on de-energisation<br>60 ms during time delay on de-energisation                  |
| Local signalling                      | LED green, steady timing in progress<br>LED, off no timing in progress and output relay energised        |
| [Us] rated supply voltage             | 110...230 V AC/DC  |
| Supply voltage limits                 | 93.5...253 V AC/DC   |
| Output short-circuit protection       | No   |
| Connections - terminals               | Screw terminals 1 x 4 mm <sup>2</sup> IEC 60947-1<br>Screw terminals 1 x 2.5 mm <sup>2</sup> IEC 60947-1 |
| IP degree of protection               | Front IP65 IEC 60529<br>Back IP20 IEC 60529  |
| Ambient Air Temperature for Operation | -4...140 °F (-20...60 °C)  |
| Ambient Air Temperature for Storage   | -4...176 °F (-20...80 °C)  |
| Tightening torque                     | 4.43 lbf.in (0.5 N.m)  |

|  |  |
|--|--|
| Dielectric strength                    | 1500 V IEC 61812-1   |
| [Ui] rated insulation voltage          | 250 V IEC 60947-1<br>250 V IEC 60664-1   |
| [Uimp] rated impulse withstand voltage | 4 kV IEC 60947-1<br>4 kV IEC 60664-1   |
| Surge withstand                        | 2 kV, level 3 IEC 61000-4-5  |
| Overvoltage category                   | Class 3 IEC 60536<br>Class 3 IEC 60664-1   |
| Vibration resistance                   | 0.15 mm 10...60 Hz)IEC 60068-2-6<br>2 gn 60...150 Hz)IEC 60068-2-6   |
| Shock resistance                       | +/- 15 gn 11 ms 6 shocks on each axis)IEC 60068-2-27   |
| Resistance to fast transients          | 2 kV level 3 IEC 61000-4-4   |
| Electromagnetic compatibility          | Electrostatic discharge 6 kV level 3 conforming to IEC 61000-4-2<br>Electromagnetic emission class B conforming to IEC 55011                                       |
| Resistance to electromagnetic fields   | 9.14 V/m (10 V/m) 80 MHz...1 GHz level 3 IEC 61000-4-3<br>2.74 V/m (3 V/m) 1.4...2 GHz level 2 IEC 61000-4-3<br>0.91 V/m (1 V/m) 2...2.7 GHz level 1 IEC 61000-4-3 |
| Immunity to radioelectric fields       | 10 V level 3 IEC 61000-4-6   |
| Disturbance radiated/conducted         | Class B EN 50022   |
| Standards                              | UL 508<br>IEC 61812-1  |
| Product Certifications                 | CE[RETURN]UL Listed  |
| Device presentation                    | Monolithic product   |
| Height                                 | 2.44 in (62 mm)  |
| Diameter                               | 1.14 in (29 mm)  |
| Net Weight                             | 0.06 lb(US) (0.027 kg)   |


## Ordering and shipping details

|                   |                  |
|-------------------|------------------|
| Category          | 00028-DATA PORTS |
| Discount Schedule | CS2              |
| GTIN              | 3606481205537    |
| Returnability     | No               |
| Country of origin | FR               |

## Packing Units

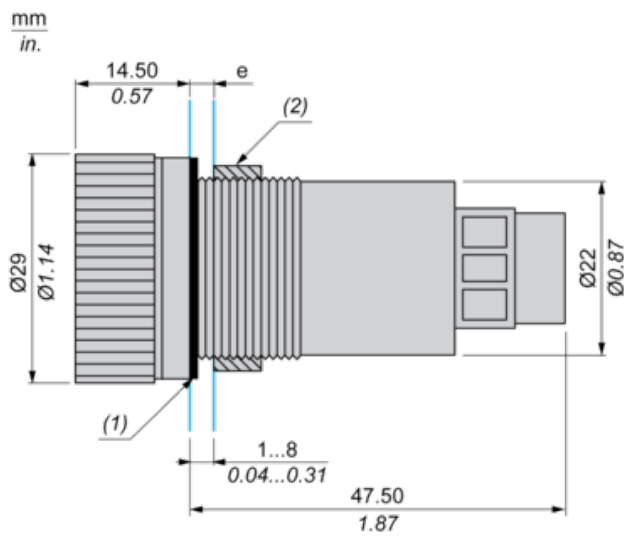
|                              |                  |
|------------------------------|------------------|
| Unit Type of Package 1       | PCE              |
| Number of Units in Package 1 | 1                |
| Package 1 Height             | 1.26 in (3.2 cm) |
| Package 1 Width              | 1.26 in (3.2 cm) |
| Package 1 Length             | 2.95 in (7.5 cm) |
| Package 1 Weight             | 0.99 oz (28 g)   |
| Unit Type of Package 2       | S01              |
| Number of Units in Package 2 | 24               |
| Package 2 Height             | 5.91 in (15 cm)  |
| Package 2 Width              | 5.91 in (15 cm)  |
| Package 2 Length             | 15.75 in (40 cm) |
| Package 2 Weight             | 30.23 oz (857 g) |

## Offer Sustainability

|                           |  |
|---------------------------|--|
| Sustainable offer status  | Green Premium product  |
| California proposition 65 | WARNING: This product can expose you to chemicals including: Nickel compounds, which is known to the State of California to cause cancer, and Di-isodecyl phthalate (DIDP), which is known to the State of California to cause birth defects or other reproductive harm. For more information go to <a href="http://www.P65Warnings.ca.gov">www.P65Warnings.ca.gov</a> |
| REACH Regulation          |  <a href="#">REACH Declaration</a>  |
| EU RoHS Directive         | Pro-active compliance (Product out of EU RoHS legal scope)   |
| Mercury free              | Yes  |

|                            |  |
|----------------------------|--|
| China RoHS Regulation      | <a href="#">China RoHS Declaration</a>   |
| RoHS exemption information | <a href="#">Yes</a>  |
| Environmental Disclosure   | <a href="#">Product Environmental Profile</a>  |
| Circularity Profile        | <a href="#">End Of Life Information</a>  |
| WEEE                       | The product must be disposed on European Union markets following specific waste collection and never end up in rubbish bins. |

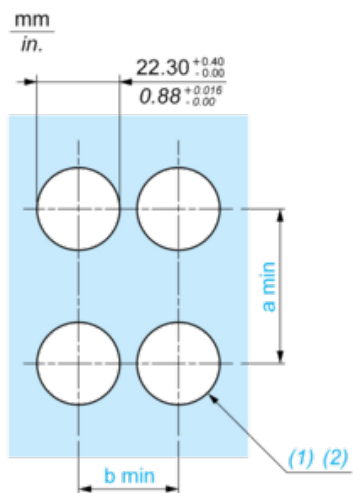
Dimensions



- (e) Clamping thickness: 1 mm to 6 mm / 0.03 in. to 0.24 in.  
(1) Sealing ring  
(2) Screw

Panel Cut-out for Analog Timer (Finished Holes, Ready for Installation)

Connection by Screw Clamp Terminals or Plug-in Connectors



(1) Diameter on finished panel or support

(2)  $\varnothing 22$  mm recommended ( $\varnothing 22.3$   $0+0.4$ ) /  $\varnothing 0.89$  in. recommended ( $\varnothing 0.88$  in.  $0^{+0.016}$ )

| Connections                                   | a in mm | a in in. | b in mm | b in in. |
|---|---------|----------|---------|----------|
| By screw clamp terminals or plug-in connector | 50      | 1.97     | 30      | 1.18     |



---

Function A : On Delay Timer

---

Description

The timing period T begins on energisation with LED On. After timing, the output (A1-A2) closes and LED Off

Function: Output



De-energised

Energised

 Output open

 Output closed

(U) Supply

(A1- A2) Timed output