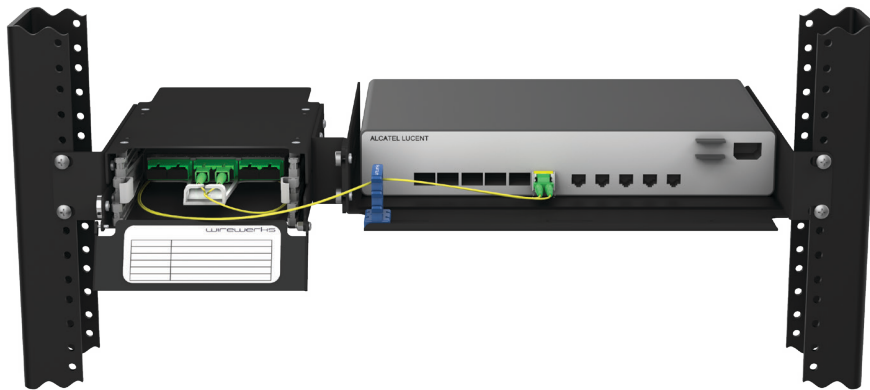


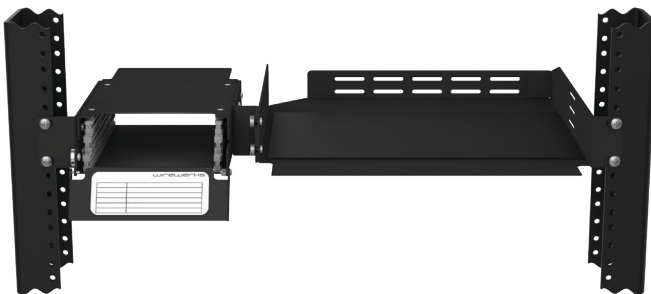
NEXTSTEP
FIBER MANAGEMENT SYSTEM

MINUS1U
PATCH PANEL

PDS-0222



NextSTEP MINUS1U
PP Universal Tray Model
NS-PP1U2SU
shown with generic switch for
illustration purposes



DESCRIPTION

The **NextSTEP MINUS1U Patch Panel** consolidates fiber management and active equipment into 1U of rack space in any standard 19" rack or frame, effectively saving or ‘freeing-up’ 1U of rack space in any installation.

The **NextSTEP MINUS1U Patch Panel** integrates a two-slot NextSTEP ‘stepped’ fiber management mini-chassis with an integrated tray that accepts virtually any manufacturer’s hub/switch/router for universal application support. A variety of switch-specific models are available and can be custom-designed to fit your switch - please contact your Wirewerks rep for more information.

FEATURES and BENEFITS

- Consolidate fiber management and active equipment in 1U of rack space, saving or ‘freeing-up’ 1U of space
- Include a full-featured NextSTEP ‘stepped-design’ 2-slot mini-chassis that accepts any NextSTEP Fiber Module in any combination for high-capacity and application flexibility
- Provide integrated cable management and power-cord management features
- Fully compatible with NextSTEP CableTree™ and CableBundle™ magnetic cable management accessories
- Precision engineered and manufactured from quality materials for robust, reliable, maintenance-free installations with extended operational lifespans
- Supports virtually any manufacturer’s 1U switch/router/hub as per dimensions shown below
- Includes an integrated heavy-gauge high-strength metal tray complete with a perimeter fence to secure active equipment in place
- Includes all mounting hardware models

APPLICATIONS

Vertical Markets	Installation Environments
Data Centers/SANs	Entrance facility
Enterprise LANs	Telecom room
MSO/Broadband Networks	Equipment room
Any installation that uses NextSTEP Patch Panels	Consolidation point
	Central office

ORDERING INFORMATION

Part Number	Description
NS-PP-1U2SU	NextSTEP MINUS1U Patch Panel with integrated Universal Tray w/installation hardware
Contact your Wirewerks sales representative to verify the availability of a model specifically designed for your switch.	

INCLUDED

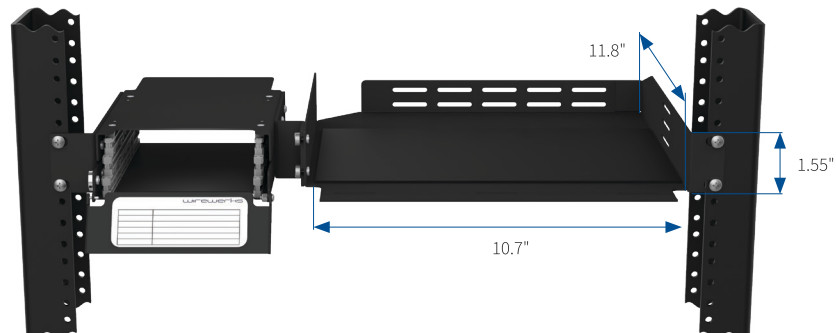
Part Number	Included
NS-PP-1U2SU	4 x machine screw, 12-24, 1/2" long, pan head 4 x machine screw, 10-32, 1/2" long, pan head 1 x 1U 19" to 23" rack extender bracket 4 x wood screw, 10 x 3/4", flat square head 4 x machine screw pan head M3 x 6mm 2 x thumb screw M3 x 6mm 2 x tie wrap, 12" 1 x adhesive identification label 1 x Minus 1U right bracket - for Alcatel 7210-SAS-D compatibility

PACKAGING and SHIPPING

Attribute	Value
Packaging	1 unit per box
Dimensions	20.0" x 13.3" x 2.0" (508mm x 337mm x 50.8mm)
Weight	6.7 lbs (2.72kg)

PHYSICAL SPECIFICATIONS

Parameter	Value
Dimensions (w x h x d) Including third-party Switch	12.0" x 19.0" x 1.75" (305mm x 482mm x 44.5mm)
Maximum Dimensions of Third-Party Switch (w x h x d)	10.7" x 1.55" x 11.8" (272mm x 39mm x 300mm)
Weight	6.04lbs (2.74kg)
Compatibility	The mini-chassis portion accepts any NextSTEP Fiber Module in any combination in any of the two 'stepped' shelf positions
Capacity	The mini-chassis portion accepts your choice of any 1 or 2 NextSTEP Fiber Modules (1 only NextSTEP 3S-FLEX Module per mini-chassis)



MECHANICAL SPECIFICATIONS

Parameter		Value
Material	Panel Material	16 gauge cold rolled steel (CRS)
	Mounting Ears	16 gauge cold rolled steel (CRS)
	Panel Finish	Black powder paint
	Plastic Material	UL 94V-0 thermoplastic
Temperature Range	Operating Temperature	-20°C (-4°F) ~ 75°C (167°F)
	Storage Temperature	-20°C (-4°F) ~ 75°C (167°F)
	Storage Temperature	+5°C (41°F) ~ +50°C (122°F)

STANDARDS COMPLIANCE

ANSI/TIA-568-D.3
Optical Fiber Cabling Components

ANSI/TIA-569-E
Telecommunications Pathways and Spaces

ANSI/TIA-606-C
Administration Standard for
Telecommunications Infrastructure

ANSI/TIA-942-B
Telecommunications Infrastructure Standard
for Data Centers

ANSI/TIA-1179-A
Healthcare Facility Telecommunications
Infrastructure

ANSI/TIA-4966
Telecommunications Infrastructure Standard
for Educational Facilities

ISO/IEC 11801-1:2017
Information technology — Generic Cabling for
Customer Premises

EIA/ECA-310-E
Cabinets, Racks, Panels, and Associated
Equipment

GR-449-CORE Issue 3
Generic Requirements and Design
Considerations for Fiber Distributing Frames

UL 94 Edition 6
Standard for Tests for Flammability of Plastic
Materials for Parts in Devices and Appliances

RoHS 2 (2011/65/EU)
Directive on the Restriction of the Use of Certain
Hazardous Substances