



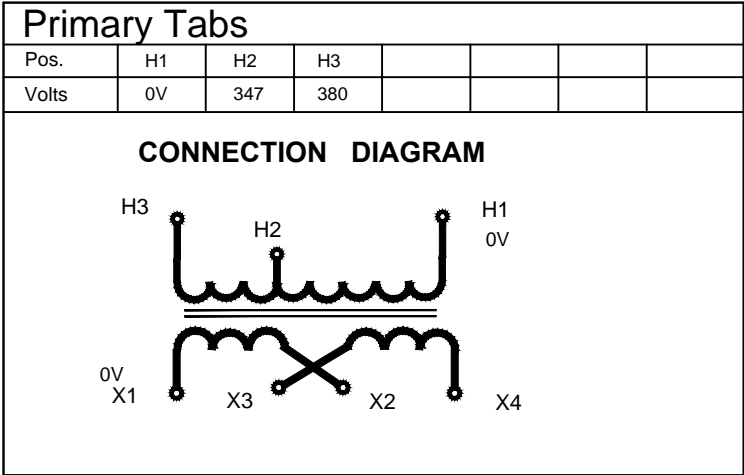
MARCUS

Marcus Transformer LTD
 Phone: 1-800-267-7376
 Fax: 1-866-205-7526
 Email: Info@marcustransformer.com

TECHNICAL DATA

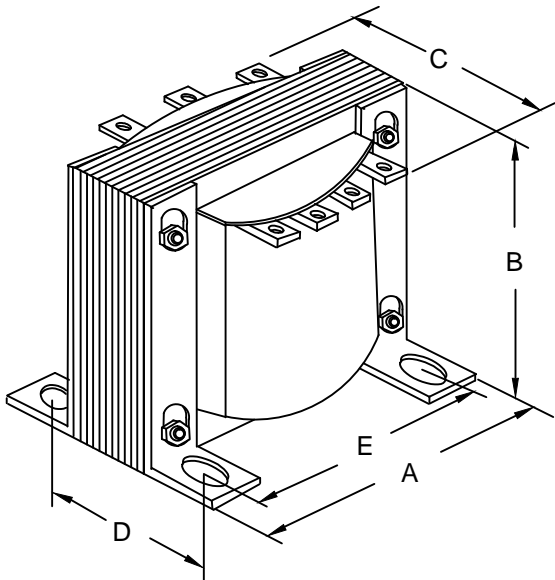
SINGLE PHASE CONTROL TRANSFORMER

| DESCRIPTION | |
|---------------------|---|
| MODEL | MO250H |
| Type | Open |
| VA | 250 |
| Primary (Volts) | 347 / 380 |
| Secondary (Volts) | 120 / 240 |
| Input / Output Amps | 0.72 , 0.66 / 2.08 , 1.04 |
| Temperature Rise | 80°C |
| Insulation Class | B (130°C) |
| Frequency | 50 / 60Hz |
| Polarity | additive |
| Noise level | less than 40DB |
| Winding | Copper |
| Approvals | CE compliant UL listed CSA approved |



WIRING CONNECTION

| PRIMARY : | | |
|-------------|--------------------|--------------------|
| VOLTS | CONNECT LINES TO : | |
| 347 | H1-H2 | |
| 380 | H1-H3 | |
| SECONDARY : | | |
| VOLTS | INTERCONNECT: | CONNECT LINES TO : |
| 120 | X1-X3 AND X2-X4 | X1-X4 |
| 240 | X2-X3 | X1-X4 |



DIMENSIONS INCHES / MM

| VA | A | B | C | D | E | MOUNTING HOLES INCHES / MM | SHIP WEIGHT LBS / KG |
|-----|---------------|--------------|---------------|--------------|--------------|----------------------------|----------------------|
| 250 | 4.50 114.3 | 3.75 95.3 | 4.15 105.4 | 2.75 69.9 | 3.75 95.3 | 0.21 x 0.625 5.3 x 15.9 | 7.50 3.40 |

Notes: