

# ABE9C1281L05

IP67 passive splitter box - cable 5 m - with 8 channels M12 connector - Led



## Main

Range of Product	Advantys ABE9
Product or Component Type	IP67 passive splitter box
Number of Channels	8
Electrical connection	1 pre-wired cable connector, 16.40 ft (5 m) 8 female connectors M12 5 pins
Status LED	1 LED per channel (Yellow) channel status 2 LEDs (Green) power ON

## Complementary

Number of ways	16 ways
[Ue] rated operational voltage	24 V DC
Current per channel	4 A
Insulation group	Category 3 VDE 0110
Operating position	Any position
Fixing Mode	M4 screw fixing
Contact resistance	5000 µOhm
Current of common	16 A 0.00 in <sup>2</sup> (1 mm <sup>2</sup> ) 12 A 0.00 in <sup>2</sup> (0.75 mm <sup>2</sup> )
Separation of commons	Without or with
Net Weight	3.55 lb(US) (1.61 kg)

## Environment

IP degree of protection	IP67 conforming to IEC 529
Product Certifications	cULus
Ambient Air Temperature for Operation	-4...176 °F (-20...80 °C)
Ambient Air Temperature for Storage	-40...185 °F (-40...85 °C)
Vibration resistance	0.2 gn 57...150 Hz)IEC 68-2-6, FC tests
Shock resistance	30 gn 11 ms EN 68-2-2

## Ordering and shipping details

Category	18218-ADVANTYS FTB/FTM/ABE9
Discount Schedule	PC32
GTIN	3389110404616
Returnability	No
Country of origin	DE

## Packing Units

Unit Type of Package 1	PCE
Number of Units in Package 1	1
Package 1 Height	3.27 in (8.300 cm)
Package 1 Width	10.98 in (27.900 cm)
Package 1 Length	11.34 in (28.800 cm)
Package 1 Weight	2.98 lb(US) (1.350 kg)

Unit Type of Package 2	S03
Number of Units in Package 2	6
Package 2 Height	11.81 in (30.000 cm)
Package 2 Width	11.81 in (30.000 cm)
Package 2 Length	15.75 in (40.000 cm)
Package 2 Weight	18.30 lb(US) (8.300 kg)

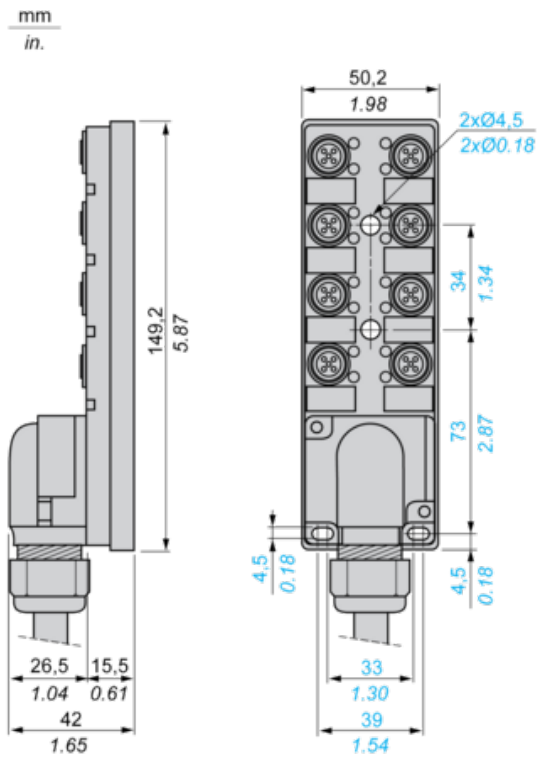
### Offer Sustainability

California proposition 65	WARNING: This product can expose you to chemicals including: Lead and lead compounds, which is known to the State of California to cause cancer and birth defects or other reproductive harm. For more information go to <a href="http://www.P65Warnings.ca.gov">www.P65Warnings.ca.gov</a>
REACH Regulation	<a href="#">REACH Declaration</a>
REACH free of SVHC	Yes
EU RoHS Directive	Pro-active compliance (Product out of EU RoHS legal scope) <a href="#">EU RoHS Declaration</a>
Toxic heavy metal free	Yes
Mercury free	Yes
China RoHS Regulation	<a href="#">China RoHS Declaration</a>
RoHS exemption information	<a href="#">Yes</a>
WEEE	The product must be disposed on European Union markets following specific waste collection and never end up in rubbish bins.

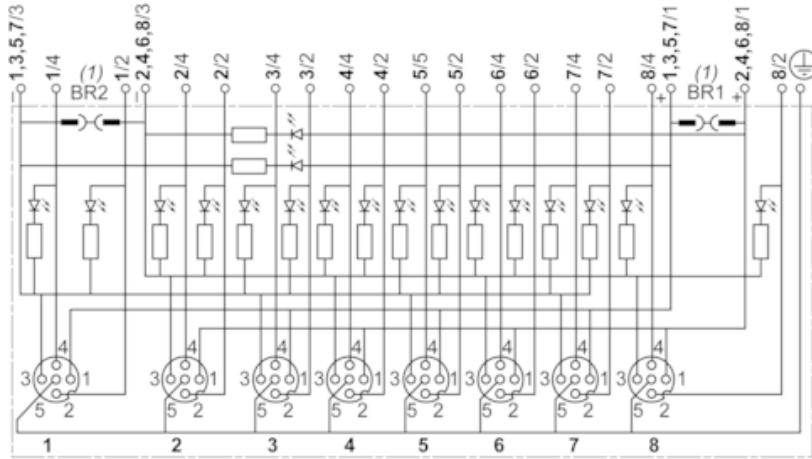
### Contractual warranty

Warranty	18 months
----------	-----------

Dimensions



## Wiring Diagram



(1) BR1 and BR2: removable link

Item	Terminal	Wire
1/4	1	White
1/2	9	Grey/pink
2/4	2	Green
2/2	10	Red/blue
3/4	3	Yellow
3/2	11	White/green
4/4	4	Grey
4/2	12	Brown/green
5/4	5	Pink
5/2	13	White/yellow
6/4	6	Red
6/2	14	Yellow/brown
7/4	7	Black
7/2	15	White/grey
8/4	8	Violet
8/2	16	Grey/brown
1, 3, 5 & 7/1	+1	Brown 1
2, 4, 6 & 8/1	+2	Brown 2
1, 3, 5 & 7/3	-1	Blue 1
2, 4, 6 & 8/3	-2	Blue 2
1...8/5	PE	Green/yellow

Connection Terminals

