



Main

| | |
|---------------------------|--|
| Range of product | Lexium integrated drive |
| Product or component type | Motion integrated drive |
| Device short name | ILS |
| Motor type | 3-phase stepper motor |
| Number of motor poles | 6 |
| Phase | Single phase |
| [Us] rated supply voltage | 36 V 24 V |
| Network type | DC |
| Communication interface | RS485, Integrated |
| Length | 9.74 in (247.3 mm) |
| Winding type | Medium speed of rotation and medium torque |
| Electrical connection | Industrial connector |
| Holding brake | With |
| Gear box type | Without |
| Nominal speed | 120 rpm 36 V 60 rpm 24 V |
| Nominal torque | 53.10 lbf.in (6 N.m) |
| Holding torque | 53.10 Lbf.in (6 N.m) holding brake 53.10 lbf.in (6 N.m) |

Complementary

| | |
|---------------------------------------|---|
| Transmission rate | 9.6, 19.2 and 38.4 kbauds |
| Mounting support | Flange |
| Motor flange size | 3.35 in (85 mm) |
| Number of motor stacks | 3 |
| Centring collar diameter | 2.36 in (60 mm) |
| Centring collar depth | 0.08 in (2 mm) |
| Number of mounting holes | 4 |
| Mounting holes diameter | 0.26 in (6.5 mm) |
| Circle diameter of the mounting holes | 3.90 in (99 mm) |
| Feedback type | Index pulse |
| Shaft end | Untapped |
| Second shaft | Without second shaft end |
| Shaft diameter | 0.55 in (14 mm) |
| Shaft length | 1.18 in (30 mm) |
| Supply voltage limits | 18...40 V |
| Current consumption | 5000 mA maximum |
| Associated fuse rating | 10 A |
| Input/output type | 4 signals (each be used as input or output) |
| Voltage state 0 guaranteed | -3...4.5 V |
| Voltage state 1 guaranteed | 15...30 V |
| Discrete input current | 10 MA at 24 V on/STO_A safety input 3 MA at 24 V on/STO_B safety input 2 mA at 24 V 24 V signal interface |
| Discrete output voltage | 23...25 V |

The information provided in this documentation contains general descriptions and/or technical characteristics of the performance of the products contained herein. This documentation is not intended as a substitute for and is not to be used for determining suitability or reliability of these products for specific user applications. It is the duty of any such user or integrator to perform the appropriate and complete risk analysis, evaluation and testing of the products with respect to the relevant specific application or use thereof. Neither Schneider Electric Industries SAS nor any of its affiliates or subsidiaries shall be responsible or liable for misuse of the information contained herein.

| | |
|---------------------------|--|
| Maximum switching current | 100 MA per output 200 mA total |
| Protection type | Overload of output voltage Short circuit of the output voltage Safe torque off |
| Peak stall torque | 53.10 lbf.in (6 N.m) |
| Continuous stall torque | 53.10 lbf.in (6 N.m) |
| Speed feedback resolution | 20000 points/turn |
| Accuracy error | +/- 6 arc min |
| Rotor inertia | 3.5 kg.cm ² |
| Maximum mechanical speed | 1000 rpm |
| Maximum radial force Fr | 110 N |
| Maximum axial force Fa | 170 N tensile force) 30 N force pressure) |
| Service life in hours | 20000 h bearing |
| Brake pull-in power | 22 W |
| Brake release time | 40 ms |
| Brake application time | 20 ms |
| Marking | CE |
| Type of cooling | Natural convection |
| Net weight | 14.33 lb(US) (6.5 kg) |

Environment

| | |
|---|---|
| Standards | IEC 61800-3, Ed 2 IEC 60072-1 EN 61800-3 : 2001-02 EN 50347 EN/IEC 50178 EN 61800-3:2001, second environment EN/IEC 61800-3 |
| Product certifications | CUL UL TÜV |
| Ambient air temperature for operation | 50...65 °C (with power derating of 2 % per °C) 0...50 °C (without derating) |
| Permissible ambient air temperature around the device | 221 °F (105 °C) power amplifier 230 °F (110 °C) motor |
| Ambient air temperature for storage | -13...158 °F (-25...70 °C) |
| Operating altitude | <= 1000 m without derating |
| Relative humidity | 15...85 % without condensation |
| Vibration resistance | 20 m/s ² 10...500 Hz) 10 cycles EN/IEC 60068-2-6 |
| Shock resistance | 150 m/s ² 1000 shocks EN/IEC 60068-2-29 |
| IP degree of protection | IP41 shaft bushing: conforming to EN/IEC 60034-5 Total except shaft bushing IP54 EN/IEC 60034-5 |

Ordering and shipping details

| | |
|-----------------------|-------------------------------------|
| Category | 18288 - LEXIUM INTEGRATED DRIVES II |
| Discount Schedule | PC56 |
| GTIN | 03389119227544 |
| Nbr. of units in pkg. | 1 |
| Package weight(Lbs) | 12.1 lb(US) (5.49 kg) |
| Returnability | No |
| Country of origin | DE |

Packing Units

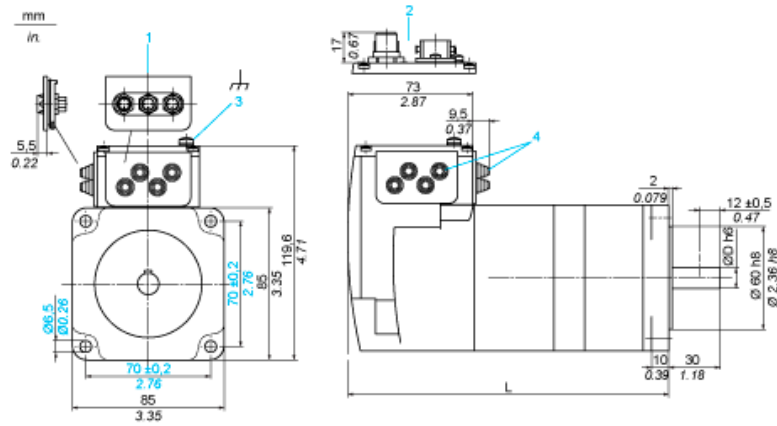
| | |
|------------------------|-------------------|
| Unit Type of Package 1 | PCE |
| Package 1 Height | 4.13 in (10.5 cm) |
| Package 1 width | 7.48 in (19 cm) |
| Package 1 Length | 15.35 in (39 cm) |

Contractual warranty

| | |
|----------|-----------|
| Warranty | 18 months |
|----------|-----------|

Integrated Drive with Holding Brake

Dimensions

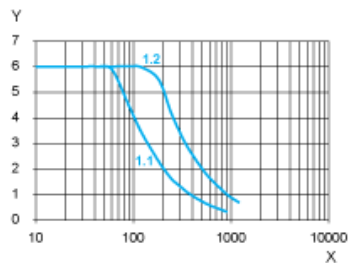


- 1 Accessories: I/O signal insert with industrial connectors
- 2 Option: industrial connectors
- 3 Earth (ground) terminal
- 4 Accessories: cable entries $\varnothing = 3 \dots 9 \text{ mm} / 0.12 \dots 0.35 \text{ in.}$
- L 247.3 mm/9.74 in.
- D 14 mm/0.55 in.

Connection Example with 4 I/O Signals



Torque Characteristics



- X Speed of rotation in rpm
- Y Torque in Nm
- 1.1 Max. torque at 24 V
- 1.2 Max. torque at 36 V