

TSXDSY08T2

Discrete output module, Modicon Premium,
8 outputs, 1.75W, overvoltage protection by
transil diode



Main

Range of Product	Modicon Premium Automation platform
Product or Component Type	Discrete output module
Discrete output number	8
Discrete output type	Solid state protected
Discrete output voltage	24 V DC positive EN/IEC 61131-2 19...30 V
Discrete output current	0.5 A

Complementary

Current per channel	0.625 A
Maximum current per module	4 A
Maximum leakage current	0.5 mA at state 0
[Ures] residual voltage	1.2 V
Response time	1.2 ms
Switching frequency	0.5/LI ² Hz
Output overvoltage protection	By transil diode
Reverse polarity protection	Reverse mounted diode
Output overload protection	Electronic tripping on reactivation
Short-circuit protection	Electronic tripping on reactivation
Preactuator voltage detection threshold	16 V
Minimum load impedance	48 W
Isolation resistance	> 10 MOhm 500 V
Power dissipation	(1 W + 0.75 W x No of outputs x current per module)
Marking	CE
Electrical connection	Screw terminal block
Current consumption	55 mA 5 V DC
Module format	Standard
Net Weight	0.71 lb(US) (0.32 kg)

Environment

Dielectric strength	1500 V 50/60 Hz 60 s
Standards	89/336/EEC CSA C22.2 No 213 Class I Division 2 Group B UL 508 IEC 61131-2 CSA C22.2 No 142 73/23/EEC CSA C22.2 No 213 Class I Division 2 Group D CSA C22.2 No 213 Class I Division 2 Group A 93/68/EEC 92/31/EEC CSA C22.2 No 213 Class I Division 2 Group C
Product Certifications	ABS[RETURN]RINA[RETURN]LR[RETURN]GL[RETURN]DNV[RETURN]BV[RETURN]RS
Ambient Air Temperature for Operation	32...140 °F (0...60 °C)
Ambient Air Temperature for Storage	-13...158 °F (-25...70 °C)

Relative Humidity	10...95 % without condensation for operation 5...95 % without condensation for storage
Operating altitude	0...6561.68 ft (0...2000 m)
Protective treatment	TC
IP Degree of Protection	IP20
Pollution degree	2

Ordering and shipping details

Category	22558-TSX PREMIUM, ATRIUM & PL7 PRO
Discount Schedule	PC22
GTIN	3389110725544
Returnability	No
Country of origin	FR

Packing Units

Unit Type of Package 1	PCE
Number of Units in Package 1	1
Package 1 Height	2.17 in (5.5 cm)
Package 1 Width	7.09 in (18.0 cm)
Package 1 Length	10.24 in (26.0 cm)
Package 1 Weight	18.55 oz (526.0 g)
Unit Type of Package 2	S03
Number of Units in Package 2	8
Package 2 Height	11.81 in (30.0 cm)
Package 2 Width	11.81 in (30.0 cm)
Package 2 Length	15.75 in (40.0 cm)
Package 2 Weight	9.28 lb(US) (4.208 kg)

Offer Sustainability

California proposition 65	WARNING: This product can expose you to chemicals including: Lead and lead compounds which is known to the State of California to cause cancer and birth defects or other reproductive harm.For more information go to www.p65warnings.ca.gov
---------------------------	---

Contractual warranty

Warranty	18 months
----------	-----------

Standard and Extendable Racks for Modules Mounting

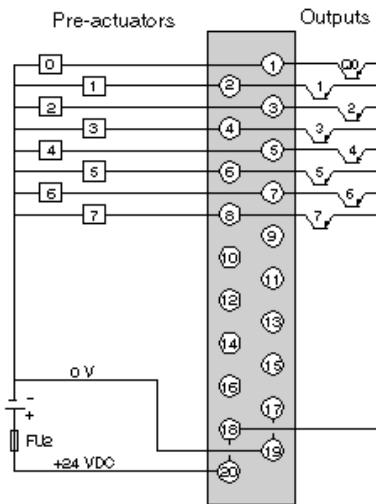
Dimensions of Modules and Racks



- (1) With screw terminal block modules.
- (2) Maximum depth for all types of modules and their associated connectors.

24 Vdc Discrete Transistor Output 8-Channel Module

Wiring Diagram



FU2 6.3 A quick-blow fuse