

## LED-HWB12-WH

12W LED Hardwire Box  
Cabinet, Cove & Display

Job Information		
Project Name		Type
Location		
Quantity		Date
Contact/Phone		
Notes		

### Features

#### Electrical Performance

The hardwire box provides a maximum power of 12 watts in a low voltage (12V DC) output. Class 2 driver accommodates inputs of 100-240V with input frequency of 50/60Hz. Suitable for indoor applications.

#### Approvals

cETLus Listed.

#### Compatibility

Compatible with all Liteline® 12 volt DC LED lighting, including:

- UCP-LED series undercabinet pucks.

#### Linkage

With a 5 port wiring hub with polarized connectors and 6½' lead, the hardwire box is capable of running up to 5 pucks (1.8W each) from attached port. Maximum distance between pucks is 52".

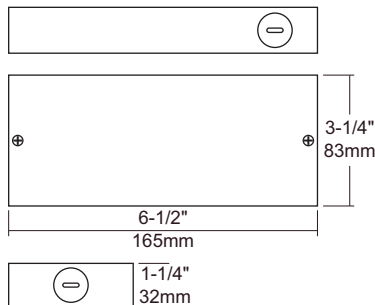
#### Hardwiring Configuration

Three 7/8" knockouts on the outer box provides flexibility in positioning and in-line installation. The included quick-connect push-in terminals provides for easy installation – no splicing or wire nuts required.



### Description

The LED-HWB12-WH is a 12 watt hardwire box for use with 12V DC LED puck lights, LED strip and tape for undercabinet and cove lighting requirements. The LED-HWB12-WH meets code for field hardwire installation.



**Notes:** Not for use in outdoor applications. Accessories should be ordered separately. For additional options please consult your Liteline representative. Due to our continued efforts to improve our products, product specifications are subject to change without notice.

### Ordering Guide



**LED-HWB12-WH**  
12W LED hardwire box.