



Main

| | |
|---|--|
| Range of product | OsiSense XM |
| Product or component type | Electromechanical pressure sensor |
| Pressure sensor type | Electromechanical pressure sensor |
| Device short name | XMLA |
| Pressure sensor size | 2320.60 psi (160 bar) |
| Controlled fluid | Fresh water (0...160 °C) |
| Fluid connection type | G 1/4 (female) conforming to ISO 228 |
| Electrical connection | 1 male connector EN 175301-803-A (ex DIN43650), 4 pins |
| Contacts type and composition | 1 C/O |
| Product specific application | - |
| Pressure switch type of operation | Detection of 1 single threshold |
| Electrical circuit type | Control circuit |
| Scale type | Fixed differential |
| Local display | With |
| Adjustable range of switching point on rising pressure | 145.04...2320.60 psi (10...160 bar) |
| Adjustable range of switching point on falling pressure | 65.27...2059.54 psi (4.5...142 bar) |
| Maximum permissible accidental pressure | 5221.36 psi (360 bar) |
| Destruction pressure | 10442.72 psi (720 bar) |
| Pressure actuator | Piston |
| Materials in contact with fluid | PTFE Brass FPM, FKM 316L stainless steel |
| Enclosure material | Zinc alloy |
| [In] rated current | 3 A, B300, AC-15 (Ue = 120 V) conforming to EN/IEC 60947-5-1 1.5 A, B300, AC-15 (Ue = 240 V) conforming to EN/IEC 60947-5-1 |

Disclaimer: This documentation is not intended as a substitute for and is not to be used for determining suitability or reliability of these products for specific user applications

Complementary

| | |
|--|---|
| Natural differential at low setting | 79.77 psi (5.5 bar) +/- 1 bar |
| Natural differential at high setting | 261.07 psi (18 bar) +/- 3 bar |
| Maximum permissible pressure - per cycle | 2900.75 psi (200 bar) |
| Terminal block type | 4 terminals |
| Maximum operating rate | 60 cyc/mn |
| Repeat accuracy | 2 % |
| [Ui] rated insulation voltage | 300 V conforming to UL 508 500 V conforming to EN/IEC 60947-1 300 V conforming to CSA C22.2 No 14 |
| [Uimp] rated impulse withstand voltage | EN/IEC 60947-1 6 kV |
| Auxiliary contacts operation | Snap action |
| Contacts material | Silver contacts |
| Maximum resistance across terminals | 25 mOhm conforming to IEC 255-7 category 3 25 mOhm conforming to NF C 93-050 method A |
| Short-circuit protection | 10 A cartridge fuse, type gG (gl) |
| Mechanical durability | 6000000 cycles |
| Setting | External |
| Height | 4.45 in (113 mm) |
| Depth | 2.95 in (75 mm) |
| Width | 1.38 in (35 mm) |
| Net weight | 1.72 lb(US) (0.78 kg) |

Environment

| | |
|---------------------------------------|--|
| Standards | CE EN/IEC 60947-5-1 UL 508 CSA C22.2 No 14 |
| Product certifications | CCC BV EAC LROS (Lloyds register of shipping) UL CSA |
| Protective treatment | TC standard version |
| Ambient air temperature for operation | -13...158 °F (-25...70 °C) |
| Ambient air temperature for storage | -40...158 °F (-40...70 °C) |
| Operating position | Any position |
| Vibration resistance | 4 gn conforming to IEC 60068-2-6 (f = 30...500 Hz) |
| Shock resistance | 50 gn conforming to IEC 60068-2-27 |
| Electrical shock protection class | Class I conforming to IEC 1140 Class I conforming to IEC 536 Class I conforming to NF C 20-030 |
| IP degree of protection | IP65 conforming to EN/IEC 60529 |

Packing Units

| | |
|------------------------------|-------------------|
| Unit Type of Package 1 | PCE |
| Number of Units in Package 1 | 1 |
| Package 1 Weight | 3.00 oz (85 g) |
| Package 1 Height | 4.92 in (12.5 cm) |
| Package 1 width | 1.65 in (4.2 cm) |
| Package 1 Length | 3.23 in (8.2 cm) |

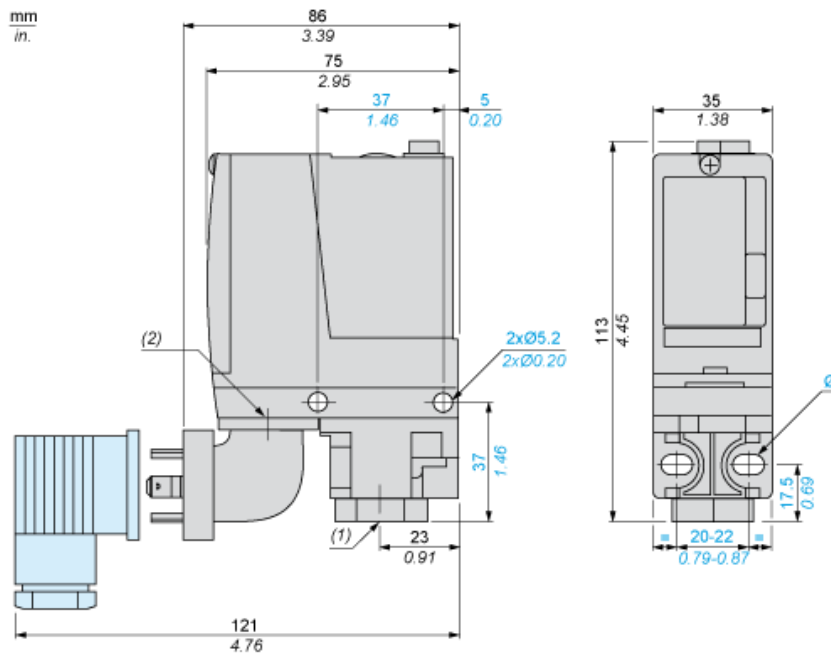
Offer Sustainability

| | |
|----------------------------|---|
| Sustainable offer status | Green Premium product |
| REACH Regulation | REACH Declaration |
| EU RoHS Directive | Pro-active compliance (Product out of EU RoHS legal scope) EU RoHS Declaration |
| Mercury free | Yes |
| RoHS exemption information | Yes |
| Environmental Disclosure | Product Environmental Profile |

Contractual warranty

| | |
|----------|-----------|
| Warranty | 18 months |
|----------|-----------|

Dimensions



- (1) 1 fluid entry, tapped G1/4 (BSP female)
(2) EN 175301-803-A connector
Ø : 2 elongated holes Ø 5.2 x 6.7

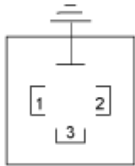
Wiring Diagram

Terminal Model



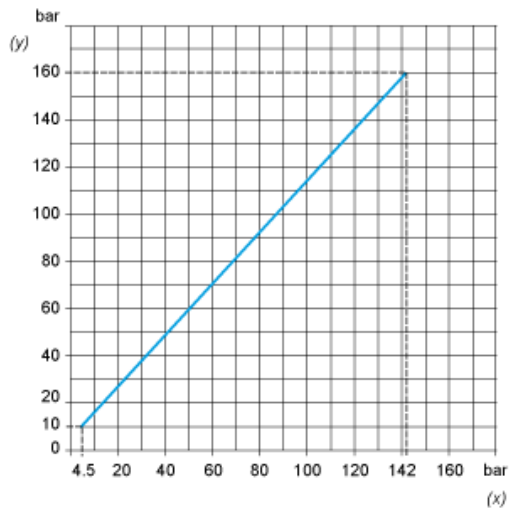
Wiring Diagram

Vacuum Switch Connector Pin View

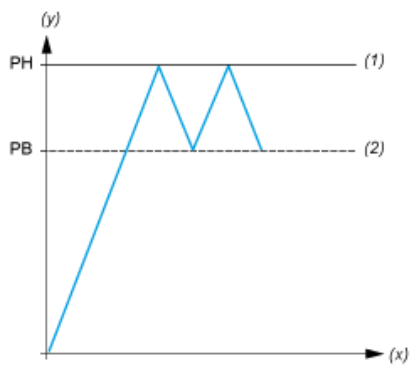


- (1) 11 and 13
- (2) 12
- (3) 14

Operating Curves



(y) Rising pressure
(x) Falling pressure



(y) Pressure
(x) Time
(1) Adjustable value
(2) Non adjustable value
PH : High point
PB : Below point