

ORDERING INFORMATION

Order code: 63027
 Description: E454T5HOPS120-277/N/XTRM
 UPC: 69549630277



SPECIFICATIONS

Ballast type:	Electronic	Type	1 Outdoor
Starting method:	Program Start	Contains PCBs:	No
Lamp connection:	Series	Sound rating:	A
Input voltage (V):	120-277V	Open current voltage (OCV) (V):	600
Input frequency (Hz):	60HZ	Inherent thermal protection:	Yes
Max. case temperature:	90 °C	Lamp protection circuit:	Yes
Thermal protection:	Class P	ICES-005 Compliant:	Class A RFLD
		End of life (EoL) protection:	Yes
		Auto-restrike:	Yes



Lamp type	Number of lamps	Rated lamp watts	Min. start temp. (°F / °C)	Input current (A)	Input power (ANSI watts)	Ballast factor	Max THD (%)	Power factor	Max. lamp current crest factor	B.E.F.
120 VOLTS										
F54T5HO (54W)	4	54	-22/-30	1.92	230	0.98	10	0.99	1.7	0.43
F54T5HO/ES (49W)	4	49	-22/-30	1.78	212	0.98	10	0.99	1.7	0.46
PL55/TTL (55W)	4	55	-22/-30	1.64	198	0.88	10	0.99	1.7	0.44
PL50/TTL (50W)	4	50	-22/-30	1.88	224	1.08	10	0.99	1.7	0.48
F39T5HO (39W)	4	39	-22/-30	1.42	170	1.00	10	0.99	1.7	0.59
F54T5HO (54W)	3	54	-22/-30	1.47	176	1.00	10	0.99	1.7	0.57
F54T5HO/ES (49W)	3	49	-22/-30	1.42	169	1.00	10	0.99	1.7	0.59
PL55/TTL (55W)	3	55	-22/-30	1.26	153	0.90	10	0.99	1.7	0.59
PL50/TTL (50W)	3	50	-22/-30	1.42	169	1.08	10	0.99	1.7	0.64
F54T5HO (54W)	2	54	-22/-30	0.98	118	0.99	10	0.98	1.7	0.84
F54T5HO/ES (49W)	2	49	-22/-30	0.95	113	0.99	10	0.98	1.7	0.88
PL55/TTL (55W)	2	55	-22/-30	0.72	102	0.92	10	0.98	1.7	0.90
PL50/TTL (50W)	2	50	-22/-30	0.86	103	1.10	10	0.97	1.7	1.07
F54T5HO (54W)	1	54	-22/-30	0.51	60	1.02	10	0.97	1.7	1.70
F54T5HO/ES (49W)	1	49	-22/-30	0.49	58	1.02	10	0.97	1.7	1.76
PL55/TTL (55W)	1	55	-22/-30	0.46	56	0.95	10	0.97	1.7	1.70
PL50/TTL (50W)	1	50	-22/-30	0.46	55	1.10	10	0.97	1.7	2.00

WARRANTY:

Ballast warranty of 5 years for electronic ballast 75 °C. Ballast warranty of 3 years for electronic ballast 90 °C. For more information visit our website.

Data is based upon tests performed in a controlled environment and representative of relative performance. Actual performance can vary depending on operating conditions. Specifications are subject to change without notice. March 9, 2015

ORDERING INFORMATION

Order code: 63027
 Description: E454T5HOPS120-277/N/XTRM
 UPC: 69549630277

Lamp type	Number of lamps	Rated lamp watts	Min. start temp. (°F / °C)	Input current (A)	Input power (ANSI watts)	Ballast factor	Max THD (%)	Power factor	Max. lamp current crest factor	B.E.F.
230 VOLTS										
F54T5HO (54W)	4	54	-22/-30	1.02	230	0.98	10	0.99	1.7	0.43
F54T5HO/ES (49W)	4	49	-22/-30	0.94	212	0.98	10	0.99	1.7	0.46
PL55/TTL (55W)	4	55	-22/-30	0.86	198	0.90	10	0.98	1.7	0.45
PL50/TTL (50W)	4	50	-22/-30	0.98	224	1.10	10	0.99	1.7	0.49
F39T5HO (39W)	4	39	-22/-30	0.76	172	1.04	10	0.98	1.7	0.60
F54T5HO (54W)	3	54	-22/-30	0.79	177	1.00	10	0.98	1.7	0.56
F54T5HO/ES (49W)	3	49	-22/-30	0.75	169	1.00	10	0.98	1.7	0.59
PL55/TTL (55W)	3	55	-22/-30	0.66	154	0.92	10	0.98	1.7	0.60
PL50/TTL (50W)	3	50	-22/-30	0.75	170	1.10	10	0.98	1.7	0.65
F54T5HO (54W)	2	54	-22/-30	0.52	118	0.99	15	0.98	1.7	0.84
F54T5HO/ES (49W)	2	49	-22/-30	0.50	113	0.99	15	0.98	1.7	0.88
PL55/TTL (55W)	2	55	-22/-30	0.44	102	0.92	15	0.98	1.7	0.90
PL50/TTL (50W)	2	50	-22/-30	0.45	103	1.10	15	0.97	1.7	1.07
F54T5HO (54W)	1	54	-22/-30	0.26	60	1.02	15	0.97	1.7	1.70
F54T5HO/ES (49W)	1	49	-22/-30	0.26	58	1.02	15	0.97	1.7	1.76
PL55/TTL (55W)	1	55	-22/-30	0.24	56	0.95	15	0.97	1.7	1.70
PL50/TTL (50W)	1	50	-22/-30	0.24	55	1.10	15	0.97	1.7	2.00
277 VOLTS										
F54T5HO (54W)	4	54	-22/-30	0.86	232	0.98	10	0.98	1.7	0.42
F54T5HO/ES (49W)	4	49	-22/-30	0.79	212	0.98	10	0.98	1.7	0.46
PL55/TTL (55W)	4	55	-22/-30	0.72	198	0.92	10	0.98	1.7	0.46
PL50/TTL (50W)	4	50	-22/-30	0.82	224	1.10	10	0.98	1.7	0.49
F39T5HO (39W)	4	39	-22/-30	0.64	174	1.04	15	0.98	1.7	0.60
F54T5HO (54W)	3	54	-22/-30	0.67	180	1.00	15	0.98	1.7	0.56
F54T5HO/ES (49W)	3	49	-22/-30	0.63	169	1.00	15	0.98	1.7	0.59
PL55/TTL (55W)	3	55	-22/-30	0.57	154	0.95	15	0.98	1.7	0.62
PL50/TTL (50W)	3	50	-22/-30	0.63	170	1.13	15	0.98	1.7	0.66
F54T5HO (54W)	2	54	-22/-30	0.42	118	0.99	15	0.97	1.7	0.84
F54T5HO/ES (49W)	2	49	-22/-30	0.42	113	0.99	15	0.97	1.7	0.88
PL55/TTL (55W)	2	55	-22/-30	0.37	102	0.92	15	0.97	1.7	0.90
PL50/TTL (50W)	2	50	-22/-30	0.37	103	1.10	15	0.97	1.7	1.07
F54T5HO (54W)	1	54	-22/-30	0.22	60	1.02	20	0.97	1.7	1.70
F54T5HO/ES (49W)	1	49	-22/-30	0.22	58	1.02	20	0.97	1.7	1.76
PL55/TTL (55W)	1	55	-22/-30	0.20	56	0.95	20	0.97	1.7	1.70
PL50/TTL (50W)	1	50	-22/-30	0.19	54	1.10	20	0.97	1.7	2.04

WARRANTY:

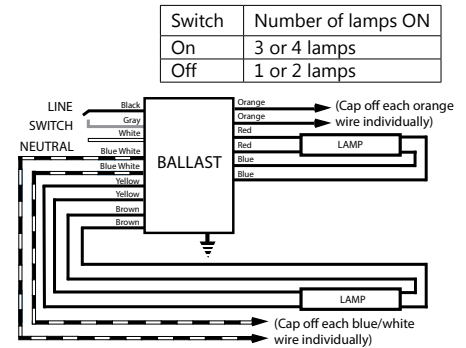
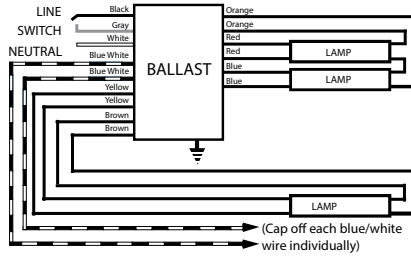
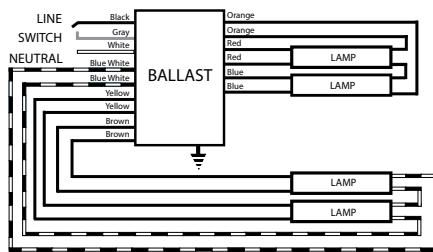
Ballast warranty of 5 years for electronic ballast 75 °C. Ballast warranty of 3 years for electronic ballast 90 °C.
 For more information visit our website.

Data is based upon tests performed in a controlled environment and representative of relative performance.
 Actual performance can vary depending on operating conditions. Specifications are subject to change without notice.
 March 9, 2015

ORDERING INFORMATION

Order code: 63027
 Description: E454T5HOPS120-277/N/XTRM
 UPC: 69549630277

WIRING DIAGRAM

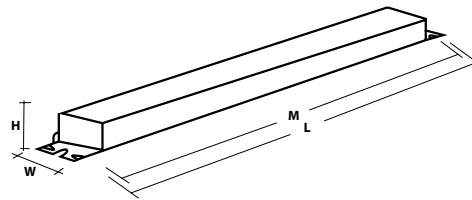


LEADS LENGTH

Black	18" (45.72 cm)
White	18" (45.72 cm)
Blue	30" (76.20 cm)
Red	30" (76.20 cm)
Yellow	30" (76.20 cm)
Grey	22" (55.88 cm)
Blue/White	48" (121.92 cm)
Brown	40" (101.6 cm)
Orange	56" (142.24 cm)

BALLAST DIMENSIONS

Length (L):	17.71" (45 cm)
Width (W):	1.70" (4.30 cm)
Height (H):	1.14" (2.90 cm)
Mounting (M):	17.24" (43.8 cm)



WARRANTY:

Ballast warranty of 5 years for electronic ballast 75 °C. Ballast warranty of 3 years for electronic ballast 90 °C.
 For more information visit our website.

Data is based upon tests performed in a controlled environment and representative of relative performance.
 Actual performance can vary depending on operating conditions. Specifications are subject to change without notice.
 March 9, 2015