

HPS Fusion™

General Purpose Enclosed
Transformer



OUR COMPANY

Hammond Power Solutions (HPS) was established in 1917 in Guelph, Ontario and has grown from a small family owned business in the short wave radio market, to the industry leader in magnetic transformer design and manufacturing. HPS has manufacturing facilities in Compton, California; Guelph, Ontario; Walkerton, Ontario; Granby, Quebec; and Monterrey, Mexico. HPS has multiple regional distribution centers throughout North America.

GENERAL PURPOSE ENCLOSED TRANSFORMER

The HPS Fusion™ line of enclosed transformers are an indoor, cost effective approach ideally suited for single phase, general purpose industrial and light duty loads.

APPLICATIONS

The HPS Fusion™ is the perfect solution and is specifically designed for the following applications:

- General purpose enclosed applications used to adjust a supply voltage to match a load requirement
- Supplying motor control circuits
- Signal and Alarm systems
- Industrial lighting and circuit isolation
- HVAC applications

INDUSTRIES

- Commercial
- Industrial
- Security
- HVAC





FEATURES AND BENEFITS

- Molded terminal blocks for primary and secondary connections up to 3000 VA or 30 amps. Coil face termination over 3000 VA or 30 amps.
- All terminal blocks utilize a combination slot/ Phillips #6 screw with a SEMS washer (suitable for 18 AWG to 14 AWG solid wire and 18 AWG to 12 AWG stranded wire). Units with coil face terminations utilize a ¼-20 UNC X 0.50" combination slot/ Phillips screw and a spring lock washer.
- 50/60 Hz (60 Hz on FS***ACP and FS***AR).
- Copper wound coils with high dielectric strength insulation.
- Bolted core construction.
- CSA Certified (file LR 3902), UL Listed (file E50394), CE Marked and RoHS Compliant.
- Meets NEMA standards.
- All HPS Fusion core and coils are Vacuum Impregnated with Polyester Resin and oven cured.
- Superior insulating materials. The HPS Fusion™ offers the following insulation systems:
 - Up to 1500 VA: 95°C temperature rise, 130°C insulation class (B)
 - 2000 VA to 5000 VA: 130°C temperature rise, 180°C insulation class (F)(Note: Temperature rise based on 25°C ambient)
- All units supplied with primary and secondary voltage links/jumpers.
- Rugged TYPE 1 enclosure.
- Finish - green powder coat.
- Primary and secondary ground screws.
- Four (0.88") wiring knockouts and four (0.50") accessory knockouts.
- Optional panel mount fuse holder.
- Easy mounting and installation via four mounting slots and two keyhole slots.
- Easy access to primary and secondary wiring compartment through removable covers.
- Most HPS Fusion units incorporate "Premium Packaging" which feature:
 - Premium fluted cartons
 - Custom molded foam inserts
 - Easy removal and repacking
 - Industry's best box label
 - Environmentally neutral
- All HPS Fusion units are supplied with trilingual installation and wiring instruction sheets.
- **15 Year Warranty.**



Hammond Power Solutions Inc.

Group G

Primary Voltage: 277

Secondary Voltage: 120



50/60 Hertz

| VA Rating | CE VA Rating | Catalog Number | Output Amps | Overall Dimensions | | | Mounting Centers | | Mounting Slot G X H | Approx. Ship Weight Lbs. |
|-----------|--------------|----------------|-------------|--------------------|-----|------|------------------|------|------------------------|--------------------------|
| | | | | A | B | C | D | E | | |
| 50 | 50 | FS50NJ | 0.42 | 2.7 | 5.9 | 3.33 | 1.66 | 3.69 | 0.22 x 0.44 | 2.4 |
| 100 | 100 | FS100NJ | 0.83 | 3.09 | 6.1 | 3.6 | 2.05 | 3.35 | 0.22 x 0.44 | 4.1 |
| 150 | 150 | FS150NJ | 1.25 | 3.09 | 6.9 | 3.6 | 2.05 | 4.1 | 0.22 x 0.44 | 5.2 |
| 250 | 160 | FS250NJ | 2.08 | 3.9 | 6.6 | 4.3 | 2.52 | 3.9 | 0.22 x 0.44 | 7.6 |
| 350 | 250 | FS350NJ | 2.92 | 3.9 | 7.2 | 4.3 | 2.52 | 4.9 | 0.22 x 0.44 | 9.3 |
| 500 | 300 | FS500NJ | 4.17 | 4.6 | 7.2 | 4.6 | 3.3 | 4.5 | 0.31 x 0.81 | 13.3 |
| 750 | 500 | FS750NJ | 6.25 | 5.6 | 7.6 | 5.1 | 4 | 4.9 | 0.31 x 0.81 | 20.1 |
| 1000 | 650 | FS1000NJ | 8.33 | 5.6 | 8 | 5.1 | 4 | 5.3 | 0.31 x 0.81 | 22.8 |
| 1500 | 1000 | FS1500NJ | 12.50 | 5.6 | 9.4 | 5.1 | 4 | 6.7 | 0.31 x 0.81 | 31.1 |

Primary and Secondary voltage links/jumpers supplied standard with all transformers.
Special voltages and VA sizes available upon request.
* See page 10 for dimensional drawings.

All dimensions in inches

Group H

Primary Voltage: 120 x 240 || 115 x 230 || 110 x 220

Secondary Voltage: 12 x 24 || 11.5 x 23 || 11 x 22



50/60 Hertz

| VA Rating | CE VA Rating | Catalog Number | Output Amps | Overall Dimensions | | | Mounting Centers | | Mounting Slot G X H | Approx. Ship Weight Lbs. |
|-----------|--------------|----------------|-------------|--------------------|-----|------|------------------|------|------------------------|--------------------------|
| | | | | A | B | C | D | E | | |
| 50 | 50 | FS50PR | 4.17/2.08 | 2.7 | 5.9 | 3.33 | 1.66 | 3.69 | 0.22 x 0.44 | 2.5 |
| 100 | 100 | FS100PR | 8.33/4.17 | 3.09 | 6.1 | 3.6 | 2.05 | 3.35 | 0.22 x 0.44 | 3.9 |
| 150 | 150 | FS150PR | 12.5/6.25 | 3.09 | 6.9 | 3.6 | 2.05 | 4.1 | 0.22 x 0.44 | 5.2 |
| 250 | 160 | FS250PR | 20.8/10.4 | 3.9 | 6.4 | 4.3 | 2.52 | 3.7 | 0.22 x 0.44 | 7.1 |
| 350 | 250 | FS350PR | 29.2/14.6 | 3.9 | 7.2 | 4.3 | 2.52 | 4.9 | 0.22 x 0.44 | 9.4 |
| 500 | 300 | FS500PR | 41.7/20.8 | 4.6 | 7.2 | 4.6 | 3.3 | 4.5 | 0.31 x 0.81 | 13.2 |

Primary and Secondary voltage links/jumpers supplied standard with all transformers.
Special voltages and VA sizes available upon request.
* See page 10 for dimensional drawings.

All dimensions in inches

HPS Fusion™

General Purpose Enclosed
Transformer

DIMENSIONAL DRAWINGS

FIGURE A

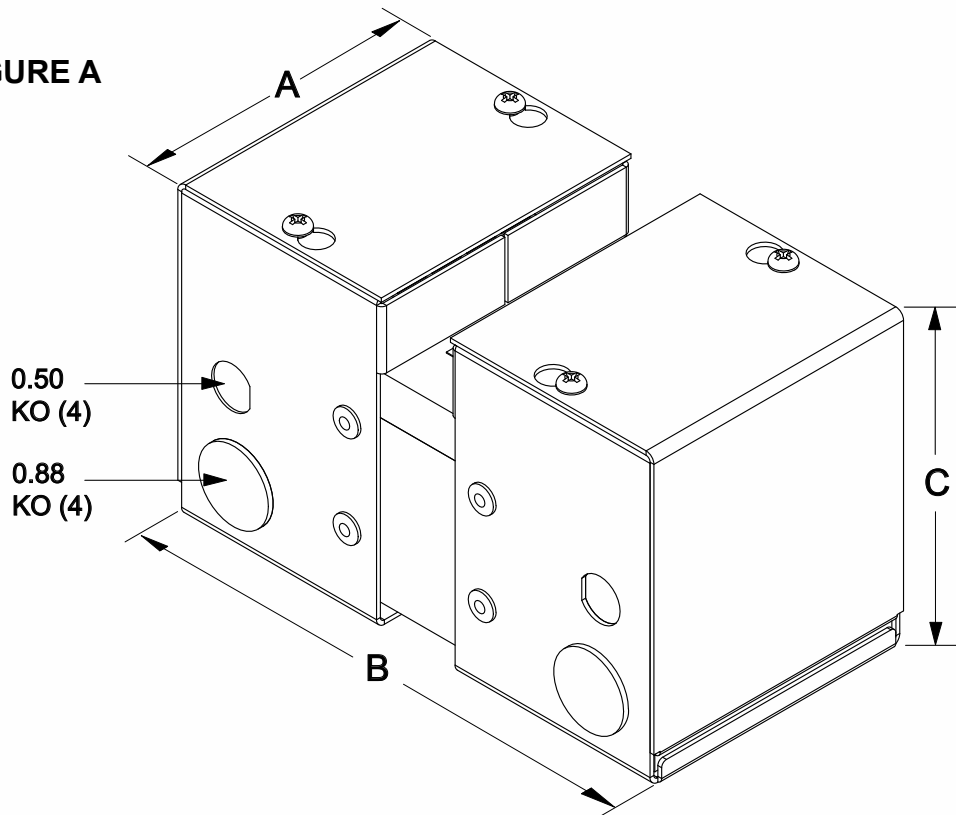


FIGURE B

