



Main

Range of product	Modicon M171
Product or component type	Display module
Display colour	Monochrome
Supply	External source

Complementary

Display type	7 segments LED + decimal point
Number of key	8
Colour	Grey
[Us] rated supply voltage	12 V DC
Power consumption in W	5 W 0 W
Marking	CE
Local signalling	LED
Product compatibility	Logic controller M171 optimized
Height	2.91 in (74 mm)
Width	1.26 in (32 mm)
Depth	1.18 in (30 mm)
Net weight	0.09 lb(US) (0.042 kg)

Environment

Product certifications	CURus
IP degree of protection	IP20

Packing Units

Unit Type of Package 1	PCE
Number of Units in Package 1	1
Package 1 Weight	6.14 oz (174 g)
Package 1 Height	5.12 in (13 cm)
Package 1 width	3.54 in (9 cm)

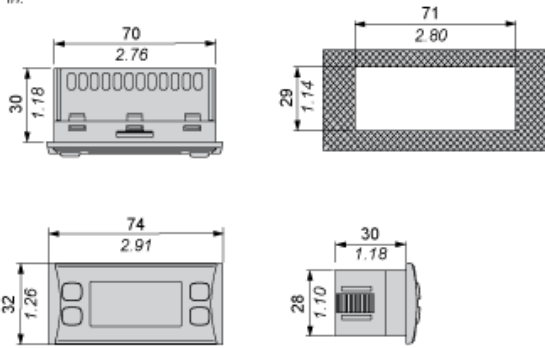
Package 1 Length	5.00 in (12.7 cm)
Unit Type of Package 2	S01
Number of Units in Package 2	4
Package 2 Weight	31.71 oz (899 g)
Package 2 Height	5.91 in (15 cm)
Package 2 width	5.91 in (15 cm)
Package 2 Length	15.75 in (40 cm)

Offer Sustainability

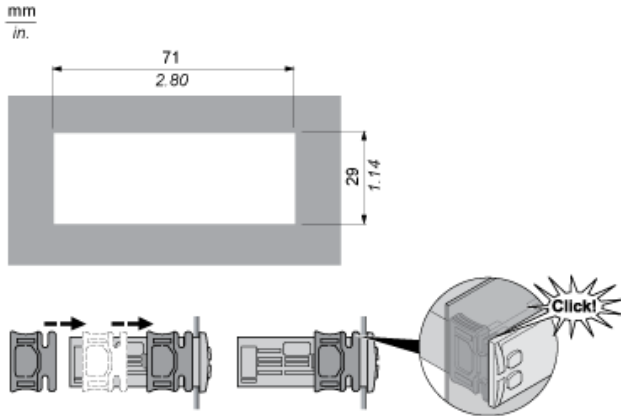
RECh Regulation	REACH Declaration
RECh free of SVHC	Yes
EU RoHS Directive	Pro-active compliance (Product out of EU RoHS legal scope) EU RoHS Declaration
Mercury free	Yes
RoHS exemption information	Yes
China RoHS Regulation	China RoHS declaration
WEEE	The product must be disposed on European Union markets following specific waste collection and never end up in rubbish bins

Dimensions

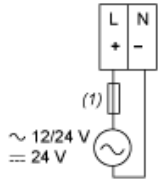
mm
in.



Mounting on Panel with the Special Brackets Provided



Power Supply



(1) Type T fuse (Controller: 1.25 A , Expansion: 1 A)

Wiring Diagram



BK : Black
BU : Blue
RD : Red