



Main

| | |
|---------------------------|-------------------------------------|
| Range of Product | Modicon Quantum automation platform |
| Product or Component Type | VAC discrete input modules |
| Software name | Unity Pro ProWORX 32 Concept |
| Discrete input number | 32 |

Complementary

| | |
|---------------------------------|--|
| Group of channels | 4 |
| Addressing requirement | 2 input words |
| Discrete input voltage | 115 V AC |
| Input current | 11.1 mA 57...63 Hz 13.2 mA 47...53 Hz |
| Voltage state 1 guaranteed | 79...132 V AC 57...63 Hz 85...132 V AC 47...53 Hz |
| Voltage state 0 guaranteed | 0...20 V AC 57...63 Hz 0...20 V AC 47...53 Hz |
| Input impedance | 12000 Ohm capacitive 57...63 Hz 14400 Ohm capacitive 47...53 Hz |
| Network frequency limits | 47...63 Hz |
| Maximum leakage current | 2.1 mA |
| Absolute maximum input | 132 V continuous 156 V 10 s 200 V 1 cycle |
| Response Time | 4.9...0.75 ms x line cycle Off-On 7.3...12.3 ms On-Off |
| Isolation between group | 1780 Vrms for 1 minute |
| Isolation between group and bus | 1780 Vrms for 1 minute |
| Bus current requirement | 250 mA |
| Maximum power dissipation in W | 10.9 W |
| Local signalling | For bus communication is present (Active) 1 LED (green) For external fault detected (F) 1 LED (red) For input status 32 LEDs (green) |
| Marking | CE |
| Module format | Standard |
| Net Weight | 0.73 lb(US) (0.33 kg) |

Environment

| | |
|---------------------------------------|---|
| Protective treatment | Conformal coating Humiseal 1A33 |
| Standards | CSA C22.2 No 142 UL 508 |
| Product Certifications | cUL[RETURN]FM Class 1 Division 2 |
| Resistance to electrostatic discharge | 4 KV contact IEC 801-2 8 kV on air IEC 801-2 |
| Resistance to electromagnetic fields | 9.14 V/m (10 V/m) 80...2000 MHz IEC 801-3 |

| | |
|---------------------------------------|----------------------------|
| Ambient Air Temperature for Operation | 32...140 °F (0...60 °C) |
| Ambient Air Temperature for Storage | -40...185 °F (-40...85 °C) |
| Relative Humidity | 95 % without condensation |
| Operating altitude | <= 16404.2 ft (5000 m) |

Ordering and shipping details

| | |
|-------------------|------------------------------------|
| Category | 18155-QUANTUM I/O & POWER SUPPLIES |
| Discount Schedule | PC21 |
| GTIN | 3595861135864 |
| Returnability | No |
| Country of origin | CN |

Packing Units

| | |
|------------------------------|------------------------|
| Unit Type of Package 1 | PCE |
| Number of Units in Package 1 | 1 |
| Package 1 Height | 6.42 in (16.3 cm) |
| Package 1 Width | 1.77 in (4.5 cm) |
| Package 1 Length | 12.28 in (31.2 cm) |
| Package 1 Weight | 16.19 oz (459.0 g) |
| Unit Type of Package 2 | S02 |
| Number of Units in Package 2 | 2 |
| Package 2 Height | 5.91 in (15.0 cm) |
| Package 2 Width | 11.81 in (30.0 cm) |
| Package 2 Length | 15.75 in (40.0 cm) |
| Package 2 Weight | 8.22 lb(US) (3.728 kg) |

Offer Sustainability

| | |
|----------------------------|---|
| Sustainable offer status | Green Premium product |
| California proposition 65 | WARNING: This product can expose you to chemicals including: Lead and lead compounds, which is known to the State of California to cause cancer and birth defects or other reproductive harm. For more information go to www.P65Warnings.ca.gov |
| REACH free of SVHC | Yes |
| EU RoHS Directive | Pro-active compliance (Product out of EU RoHS legal scope) EU RoHS Declaration |
| Mercury free | Yes |
| China RoHS Regulation | China RoHS Declaration |
| RoHS exemption information | Yes |
| Circularity Profile | End Of Life Information |
| WEEE | The product must be disposed on European Union markets following specific waste collection and never end up in rubbish bins. |

Contractual warranty

| | |
|----------|-----------|
| Warranty | 18 months |
|----------|-----------|

Racks for Modules Mounting

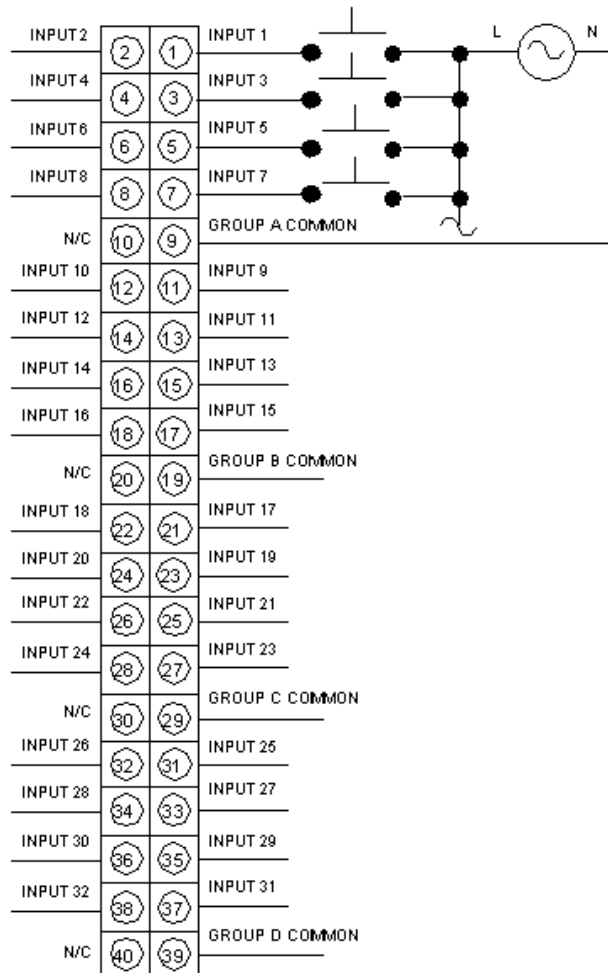
Dimensions of Modules and Racks



- (1) 2 slots
- (2) 3 slots
- (3) 4 slots
- (4) 6 slots
- (5) 10 slots
- (6) 16 slots

115 Vac Discrete Input Module

Wiring Diagram



N/C Not Connected

NOTE: All inputs in a group must be from the same phase of line input voltage.