

## Main

Accessory / separate part designation	5-wire connector adaptor
Accessory / separate part category	Cabling accessories
Accessory / separate part type	Connector adaptor
Cable composition	4 x 0.34 mm <sup>2</sup> + 1 x 0.5 mm <sup>2</sup>
Thread type	Pg 13.5
[In] rated current	4 A

## Complementary

Cable length	3.94 in (100 mm)
Total number of wires	5
Electrical connection	1 male connector M12 5 straight
Cable connector fixing	Screw-on
Body material	Metal
Insulation resistance	> 1000000000 Ohm
Maximum resistance across terminals	5000 mOhm
[Ue] rated operational voltage	250 V AC 300 V DC
Net weight	0.06 lb(US) (0.025 kg)

## Environment

IP degree of protection	IP67
Ambient air temperature for operation	-13...176 °F (-25...80 °C)

## Packing Units

Unit Type of Package 1	PCE
Number of Units in Package 1	1
Package 1 Weight	0.92 oz (26 g)
Package 1 Height	1.14 in (2.9 cm)
Package 1 width	1.97 in (5 cm)
Package 1 Length	5.67 in (14.4 cm)

Unit Type of Package 2	S01
Number of Units in Package 2	100
Package 2 Weight	6.61 lb(US) (3 kg)
Package 2 Height	5.91 in (15 cm)
Package 2 width	5.91 in (15 cm)
Package 2 Length	15.75 in (40 cm)

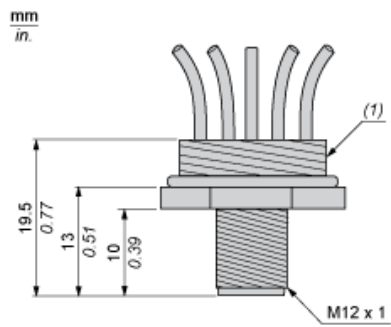
### Offer Sustainability

REACH Regulation	<a href="#">REACH Declaration</a>
EU RoHS Directive	Pro-active compliance (Product out of EU RoHS legal scope) <a href="#">EU RoHS Declaration</a>
Mercury free	Yes
RoHS exemption information	<a href="#">Yes</a>

### Contractual warranty

Warranty	18 months
----------	-----------

Dimensions

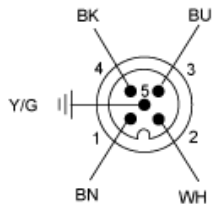


(1) Pg 13.5 cable gland

---

## Connections and Schemes

---



- BN : Brown
- BK : Black
- BU : Blue
- Y/G : Yellow / Green
- WH : White