



Main

| | |
|---------------------------|--------------------------------------|
| Range of product | Modicon Momentum automation platform |
| Product or component type | Discrete output base DC |
| Group of channels | 2 groups of 16 outputs |
| Discrete output number | 32 |
| Discrete output type | Solid state switch |
| Discrete output voltage | 24 V DC |
| Current per channel | 0.5 A |
| Short-circuit protection | Outputs electronically protected |
| Protective treatment | Conformal coating Humiseal 1A33 TC |

Complementary

| | |
|------------------------------------|--|
| [Ue] rated operational voltage | 24 V DC |
| Discrete output current | 16 A per module 8 A per group |
| Maximum leakage current | 1 mA 24 V DC |
| Surge current | 5 A 1 ms |
| Maximum voltage drop | <0.5 V 0.5 A at state 1 |
| Output overload protection | Outputs electronically protected |
| Response time | 0.1 ms from state 0 to state 1 0.1 ms from state 1 to state 0 |
| Isolation between channels and bus | 500 V AC |
| Power dissipation | 7.5 W maximum 6 W typical |
| Marking | CE |
| Local signalling | Channel status 32 LEDs |
| Current consumption | 250 mA 24 V DC |
| Terminals description PLC n°1 | (8)OUT_DIS#8 (13)OUT_DIS#13 (9)OUT_DIS#9 (10)OUT_DIS#10 (2)OUT_DIS#2 TB (16)OUT_DIS#16 (6)OUT_DIS#6 (7)OUT_DIS#7 (11)OUT_DIS#11 (M-)PW_NEG (15)OUT_DIS#15 (4)OUT_DIS#4 (12)OUT_DIS#12 (3)OUT_DIS#3 (L+)PW_POS (5)OUT_DIS#5 (14)OUT_DIS#14 (1)OUT_DIS#1 |

| | |
|-------------------------------|--|
| Terminals description PLC n°2 | (11)OUT_DIS#27 (2)OUT_DIS#18 (4)OUT_DIS#20 (10)OUT_DIS#26 (1L+)PW_POS (9)OUT_DIS#25 (15)OUT_DIS#31 (16)IN_DIS#32 (5)OUT_DIS#21 (14)OUT_DIS#30 (3)OUT_DIS#19 (7)OUT_DIS#23 (6)OUT_DIS#22 (1)OUT_DIS#17 TB_1 (2L+)PW_POS (12)OUT_DIS#28 (13)OUT_DIS#29 (8)OUT_DIS#24 |
| Depth | 1.87 in (47.5 mm) |
| Height | 5.57 in (141.5 mm) |
| Maximum Width | 4.92 in (125 mm) |
| Net Weight | 0.46 lb(US) (0.21 kg) |

Environment

| | |
|---------------------------------------|---|
| Product certifications | UL CSA |
| Resistance to electrostatic discharge | 4 KV contact IEC 801-2 8 kV on air IEC 801-2 |
| Resistance to electromagnetic fields | 10 V/m 80...1000 MHz conforming to IEC 801-3 |
| Ambient air temperature for operation | 32...140 °F (0...60 °C) |
| Ambient air temperature for storage | -40...185 °F (-40...85 °C) |
| Relative humidity | 95 % without condensation |
| Operating altitude | <= 16404.2 ft (5000 m) |

Ordering and shipping details

| | |
|-----------------------|---|
| Category | 18206 - MOMENTUM PROCESSORS,I/O BASES,CONN. |
| Discount Schedule | PC31 |
| GTIN | 03595863798302 |
| Nbr. of units in pkg. | 1 |
| Package weight(Lbs) | 2.21 lb(US) (1.00 kg) |
| Returnability | No |
| Country of origin | ID |

Packing Units

| | |
|------------------------------|-------------------------|
| Unit Type of Package 1 | PCE |
| Package 1 Height | 2.17 in (5.5 cm) |
| Package 1 width | 7.09 in (18 cm) |
| Package 1 Length | 10.24 in (26 cm) |
| Unit Type of Package 2 | S03 |
| Number of Units in Package 2 | 10 |
| Package 2 Weight | 10.31 lb(US) (4.675 kg) |
| Package 2 Height | 11.81 in (30 cm) |
| Package 2 width | 11.81 in (30 cm) |
| Package 2 Length | 15.75 in (40 cm) |

Offer Sustainability

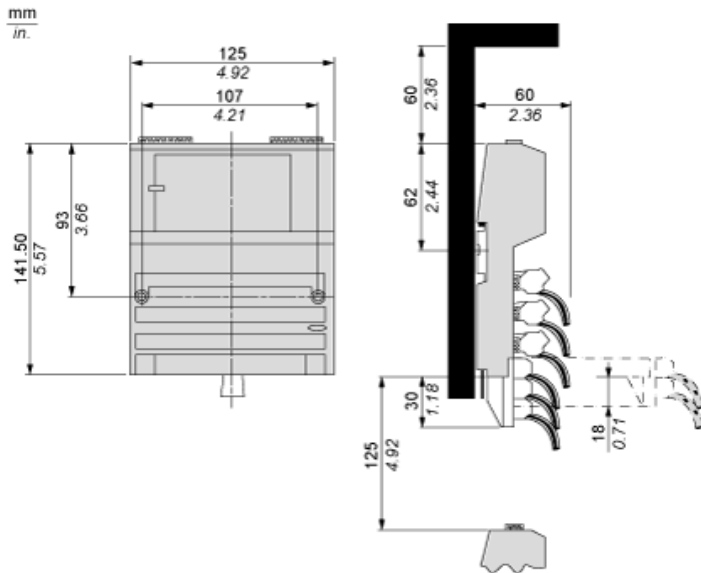
| | |
|----------------------------|---|
| California proposition 65 | WARNING: This product can expose you to chemicals including: Lead and lead compounds, which is known to the State of California to cause cancer and birth defects or other reproductive harm. For more information go to www.P65Warnings.ca.gov |
| REACH Regulation | REACH Declaration |
| EU RoHS Directive | Compliant EU RoHS Declaration |
| Mercury free | Yes |
| RoHS exemption information | Yes |
| WEEE | The product must be disposed on European Union markets following specific waste collection and never end up in rubbish bins. |

Contractual warranty

| | |
|----------|-----------|
| Warranty | 18 months |
|----------|-----------|

Standard Adapter on a Typical Base

Dimensions

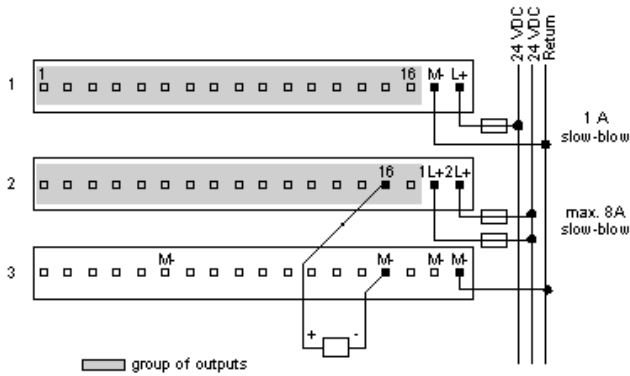


Mounting on a Wall

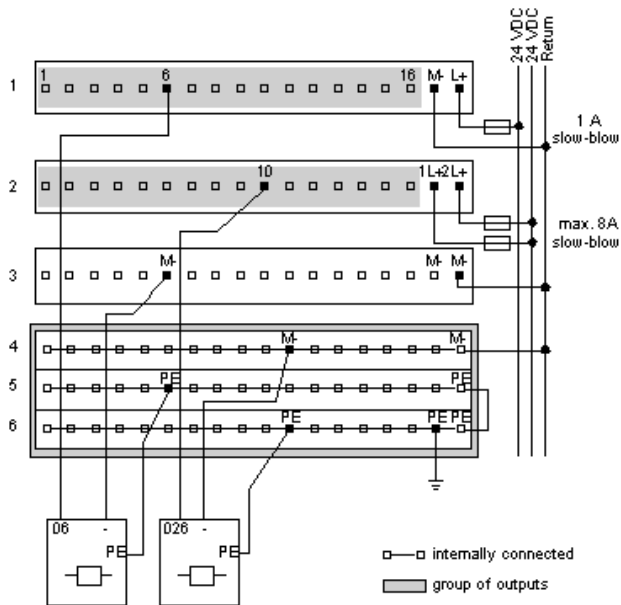


External Wiring Diagrams

2-Wire Actuator



3-Wire Actuators



Internal Pin Connections

Rows 1 through 3 show the internal connections between terminals on the I/O base. Rows 4 through 6 show the internal connections on the optional busbar.

