



Main

| | |
|---------------------------|---|
| Range of Product | Harmony iPC |
| Product or Component Type | PC panel |
| Processor name | Intel icore 3rd generation 827E cache 3 MB |
| Chipset type | Intel BD82HM76 |
| Display size | 12 inch |
| Display colour | 16 million colours |
| Luminance | 34.84 fc (375 cd/m ²) |
| Video controller type | Intel HD Graphics 3000 |
| Operating system | Windows Embedded Standard WES2009English Windows Embedded Standard WES2009French Windows Embedded Standard WES2009German Windows Embedded Standard WES2009Italian Windows Embedded Standard WES2009Spanish Windows Embedded Standard WES2009Swedish Windows Embedded Standard WES2009Chinese Windows Embedded Standard WES2009Portuguese Windows Embedded Standard WES2009Russian |
| Software package | Vijeo Designer run time demo .NET Framework 3.5 Acrobat Reader Internet Explorer Viewer Word/Excel/Power Point Vijeo Citect web client |
| Bezel material | Aluminium alloy |

Complementary

| | |
|----------------------------------|---|
| Terminal type | Touchscreen display |
| Data storage equipment | >= 4 GB CFast card SLC |
| Display Type | Active matrix colour TFT LCD with LED backlight |
| Display Resolution | 1024 x 768 pixels XGA |
| Backlight lifespan | 50000 hours 77 °F (25 °C) |
| View angle horizontal x vertical | 80 x 80° |
| Touch panel | Analogue resistive |
| Memory type | 2 GB, expandable to 16 GB RAM DDR3 |
| Type of cooling | Fanless |
| Integrated connection type | 2 Ethernet port - RJ45 COM1 serial link - male SUB-D 9 - RS232C 115 kbit/s)bottom COM2 serial link - male SUB-D 9 - RS232C 115 kbit/s)bottom DVI video portbottom Audio output - mini-jack USB 2.0 type A 480 Mbit/s)front panel 4 USB 3.0 type A 5 Gbit/s)bottom |
| Port Ethernet | 10BASE-T/100BASE-T/1000BASE-T |
| [Us] rated supply voltage | 100...240 V AC power supply |
| Network frequency | 45...65 Hz |
| Line Rated Current | 0.6...2 A |
| Inrush current | 20 A |
| Material | Die cast aluminium |
| Display material | Polyethylene sheet |
| Fixing mode | Enclosure door by fixing kit fasteners included) |
| Type of Installation | Indoor |

The information provided in this documentation contains general descriptions and/or technical characteristics of the performance of the products contained herein. This documentation is not intended as a substitute for and is not to be used for determining suitability or reliability of these products for specific user applications. It is the duty of any such user or integrator to perform the appropriate and complete risk analysis, evaluation and testing of the products with respect to the relevant specific application or use thereof. Neither Schneider Electric Industries SAS nor any of its affiliates or subsidiaries shall be responsible or liable for misuse of the information contained herein.

| | |
|--------------------|--|
| Control type | ON/OFF push-button equipment ON and OFF) Push-button reset) |
| Local signalling | Buzzer For power LED (multi-colour) For link status LED For RUN LED For accessing CF system card (DISK) LED (orange) |
| Width | 12.32 in (313 mm) |
| Height | 9.41 in (239 mm) |
| Depth | 2.36 in (60 mm) |
| Cut-out dimensions | 301.5 (+ 1/- 0) x 227.5 (+ 1/- 0) x 1.6...9 mm |
| Net Weight | 8.82 lb(US) (4 kg) |
| Main type | Universal |

Environment

| | |
|---------------------------------------|--|
| IP degree of protection | Front panel IP65 EN/IEC 60529 |
| NEMA degree of protection | NEMA 4X front panel |
| Product certifications | CULus 508[RETURN]CULus CSA 22-2 No 142[RETURN]CULus HazLoc Class I Division 2 UL 1604[RETURN]CULus HazLoc Class I Division 2 ANSI/ISA 12-12-01[RETURN]CULus HazLoc Class I Division 2 CSA 22-2 No 213[RETURN]GOST[RETURN]CE[RETURN]C-tick |
| Pollution degree | 2 EN/IEC 61131-2 |
| Electromagnetic compatibility | Immunity to electromagnetic emissions, class A EN 55022 Immunity to electromagnetic emissions, class A EN 55011 Immunity to high frequency interference EN/IEC 61131-2 Immunity to high frequency interference EN/IEC 61000-4-x |
| Ambient air temperature for operation | 32...122 °F (0...50 °C) vertical installation UL 508 32...113 °F (0...45 °C) vertical installation when using Gigabit Ethernet with HDD storage device UL 508 32...122 °F (0...50 °C) vertical installation IEC 61132-2 32...113 °F (0...45 °C) vertical installation when using Gigabit Ethernet with HDD storage device IEC 61132-2 |
| Ambient air temperature for storage | -4...140 °F (-20...60 °C) IEC 60068-2-2 test Bb -4...140 °F (-20...60 °C) IEC 60068-2-14 test Na |
| Relative Humidity | 10...85 % non-condensing EN/IEC 60068-2-78 10...85 % non-condensing EN/IEC 60068-2-30 |
| Operating altitude | 6561.68 ft (2000 m) EN/IEC 61131-2 |
| Vibration resistance | 1.75 mm 2...9 Hz) continuous EN/IEC 60068-2-6 Fc 3.5 mm 2...9 Hz) intermittently EN/IEC 60068-2-6 Fc 0.5 gn 9...200 Hz) continuous EN/IEC 60068-2-6 Fc 1 gn 9...200 Hz) intermittently EN/IEC 60068-2-6 Fc 1 mm 3...13.2 Hz) continuous EN/IEC 60068-2-6 Fc 0.7 gn 13.2...100 Hz) continuous EN/IEC 60068-2-6 Fc |
| Shock resistance | 15 gn 11 ms IEC 60068-2-27, Ea tests |

Ordering and shipping details

| | |
|-------------------|-------------------|
| Category | 22575-MAGELIS MC3 |
| Discount Schedule | MC3 |
| GTIN | 3595864172453 |
| Returnability | No |
| Country of origin | AT |

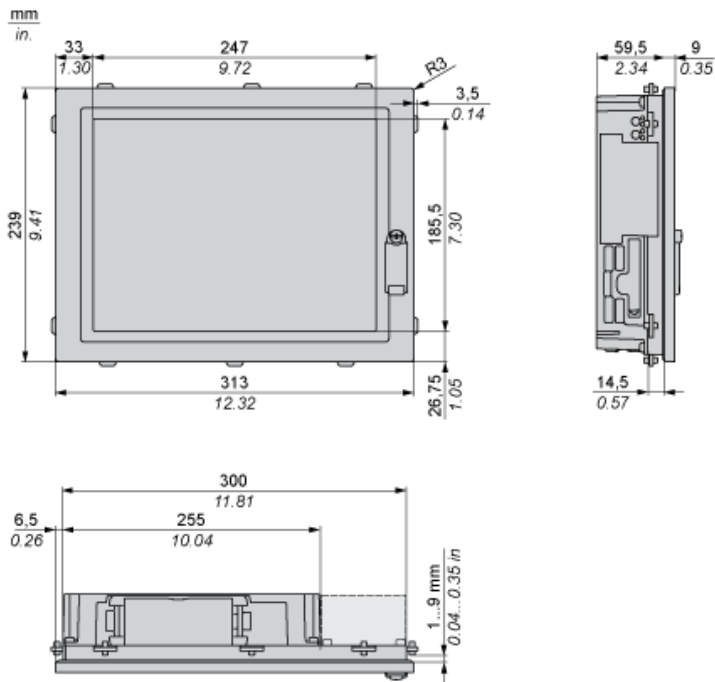
Packing Units

| | |
|------------------------------|-----------------------|
| Unit Type of Package 1 | PCE |
| Number of Units in Package 1 | 1 |
| Package 1 Height | 10.83 in (27.5 cm) |
| Package 1 Width | 13.58 in (34.5 cm) |
| Package 1 Length | 17.52 in (44.5 cm) |
| Package 1 Weight | 14.55 lb(US) (6.6 kg) |

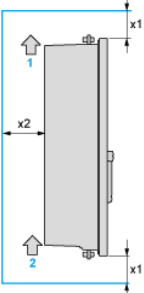
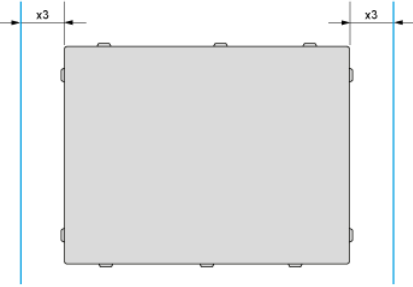
Offer Sustainability

| | |
|----------------------------|--|
| EU RoHS Directive | Pro-active compliance (Product out of EU RoHS legal scope)  EU RoHS Declaration |
| Toxic heavy metal free | Yes |
| Mercury free | Yes |
| China RoHS Regulation |  China RoHS Declaration |
| RoHS exemption information |  Yes |
| WEEE | The product must be disposed on European Union markets following specific waste collection and never end up in rubbish bins. |

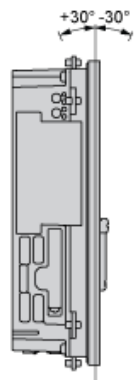
Dimensions



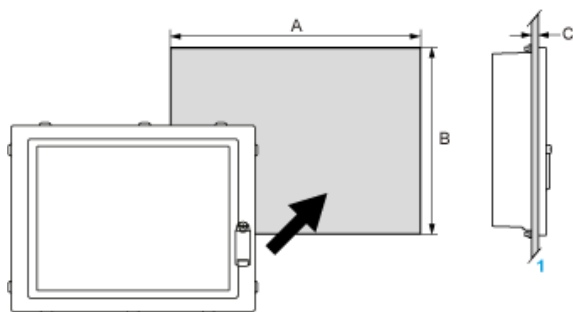
Spacing Requirement

| Top, Bottom and Rear Sides | Left and Right Sides |
|---|---|
|  <p>1 Air out 2 Air in</p> |  |

Mounting Orientation



Panel Cut Dimensions



1 Installation panel

| A | B | C |
|-----------------------------------|----------------------------------|------------------------------|
| 301.5 +1/0 mm (11.87 +0.04/0 in.) | 227.5 +1/0 mm (8.96 +0.04/0 in.) | 1.6...9 mm (0.06...0.35 in.) |