



## Main

|                           |                                     |
|---------------------------|-------------------------------------|
| Range of product          | Modicon Quantum automation platform |
| Product or component type | Mixed discrete I/O module           |
| Discrete I/O number       | 24                                  |

## Complementary

|                                 |  |
|---------------------------------|--|
| Discrete input number           | 16 2 groups of 8   |
| Discrete input logic            | Sink   |
| Addressing requirement          | 1 input word<br>0.5 output word  |
| Network frequency limits        | 47...63 Hz   |
| Discrete input voltage          | 24 V DC  |
| Input voltage limits            | 30 V<br><= 1 V during one cycle<br>56 V during 1.3 ms<br><= 1 V during 10 s  |
| Voltage state 0 guaranteed      | -3...5 V   |
| Voltage state 1 guaranteed      | 15...30 V  |
| Current state 0 guaranteed      | <= 0.5 mA  |
| Current state 1 guaranteed      | >= 2 mA  |
| Input impedance                 | 2500 Ohm   |
| Discrete output number          | 8 2 groups of 4  |
| Discrete output type            | Solid state  |
| Discrete output logic           | Sink   |
| Discrete output voltage         | 24 V   |
| Output voltage limits           | 19.2...30 V DC typical<br>56 V DC during 1.3 ms  |
| Maximum load current            | <= 0.5 A per point<br><= 2 A per group<br><= 4 A per module  |
| Maximum voltage drop            | <0.4 V 0.5 A   |
| Absolute maximum output         | 5 A during 500 µs per point  |
| Maximum load inductance         | 500 mH 4 Hz  |
| Maximum load capacitance        | 50 µF  |
| Maximum leakage current         | 0.4 mA 30 V DC   |
| Response time on output         | <= 1 ms at state 0 to state 1<br><= 1 ms at state 1 to state 0   |
| Protection type                 | On output by transient voltage suppression<br>On input by resistor limited<br>Internal output protection by 5 A fuse per group |
| Associated fuse rating          | 5 A per group  |
| Isolation between group         | 500 Vrms for 1 minute  |
| Isolation between group and bus | 1780 Vrms for 1 minute   |

|                         |   |
|-------------------------|---|
| Fault indication        | Blown fuse on output<br>Loss of field power on output   |
| Power dissipation       | 1.75 W + (0.36 x input point on) + (1.1 total output load current)  |
| Local signalling        | Bus communication is present (Active) 1 LED green)<br>No voltage in output and input (F) 1 LED red)<br>Output is turned on 2 LEDs green)<br>Fault detected on the input point 2 LEDs red)<br>Fault detected on the output point 2 LEDs red) |
| Marking                 | CE  |
| Bus current requirement | 330 mA  |
| Net Weight              | 0.66 lb(US) (0.3 kg)  |

## Environment

|                                       |   |
|---------------------------------------|---|
| Resistance to electrostatic discharge | 4 KV contact IEC 801-2<br>8 kV on air IEC 801-2     |
| Resistance to electromagnetic fields  | 9.14 V/m (10 V/m) 80...1000 MHz IEC 801-3           |
| Ambient air temperature for operation | 32...140 °F (0...60 °C)                             |
| Ambient air temperature for storage   | -40...185 °F (-40...85 °C)                          |
| Relative humidity                     | 95 % without condensation                           |
| Operating altitude                    | <= 16404.2 ft (5000 m)                              |
| Standards                             | CSA C22.2 No 142<br>UL 508<br>FM Class 1 Division 2 |
| Product certifications                | CUL   |



## Ordering and shipping details

|                       |                                      |
|-----------------------|--------------------------------------|
| Category              | 18155 - QUANTUM I/O & POWER SUPPLIES |
| Discount Schedule     | PC21                                 |
| GTIN                  | 00785901013976                       |
| Nbr. of units in pkg. | 1                                    |
| Package weight(Lbs)   | 0.96 lb(US) (0.44 kg)                |
| Returnability         | No                                   |
| Country of origin     | CN                                   |

## Packing Units

|                              |                        |
|------------------------------|------------------------|
| Unit Type of Package 1       | PCE                    |
| Package 1 Height             | 1.77 in (4.5 cm)       |
| Package 1 width              | 12.40 in (31.5 cm)     |
| Package 1 Length             | 6.30 in (16 cm)        |
| Unit Type of Package 2       | S03                    |
| Number of Units in Package 2 | 7                      |
| Package 2 Weight             | 6.70 lb(US) (3.039 kg) |
| Package 2 Height             | 11.81 in (30 cm)       |
| Package 2 width              | 11.81 in (30 cm)       |
| Package 2 Length             | 15.75 in (40 cm)       |

## Offer Sustainability

|                           |   |
|---------------------------|---|
| Sustainable offer status  | Green Premium product   |
| California proposition 65 | WARNING: This product can expose you to chemicals including: Lead and lead compounds, which is known to the State of California to cause cancer and birth defects or other reproductive harm. For more information go to <a href="http://www.P65Warnings.ca.gov">www.P65Warnings.ca.gov</a> |
| REACH Regulation          |  <a href="#">REACH Declaration</a>   |
| REACH free of SVHC        | Yes   |
| EU RoHS Directive         | Pro-active compliance (Product out of EU RoHS legal scope)  <a href="#">EU RoHS Declaration</a>  |
| Mercury free              | Yes   |

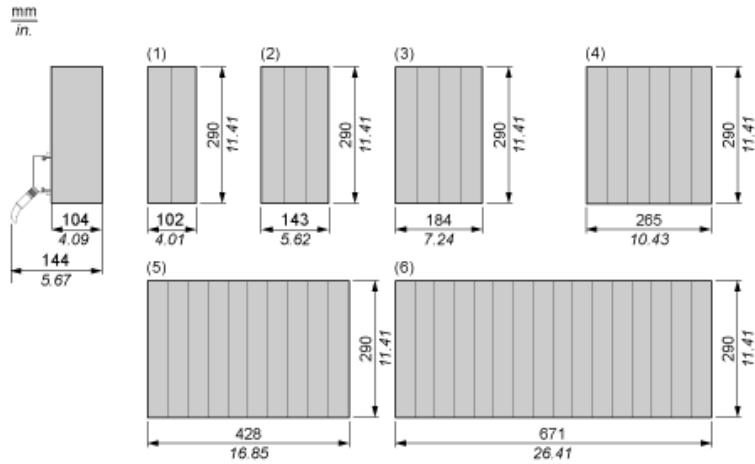
|                            |  |
|----------------------------|--|
| RoHS exemption information | <a href="#">Yes</a>  |
| China RoHS Regulation      | <a href="#">China RoHS Declaration</a>   |
| Environmental Disclosure   | <a href="#">Product Environmental Profile</a>  |
| Circularity Profile        | <a href="#">End Of Life Information</a>  |
| WEEE                       | The product must be disposed on European Union markets following specific waste collection and never end up in rubbish bins. |

### Contractual warranty

|          |           |
|----------|-----------|
| Warranty | 18 months |
|----------|-----------|

Racks for Modules Mounting

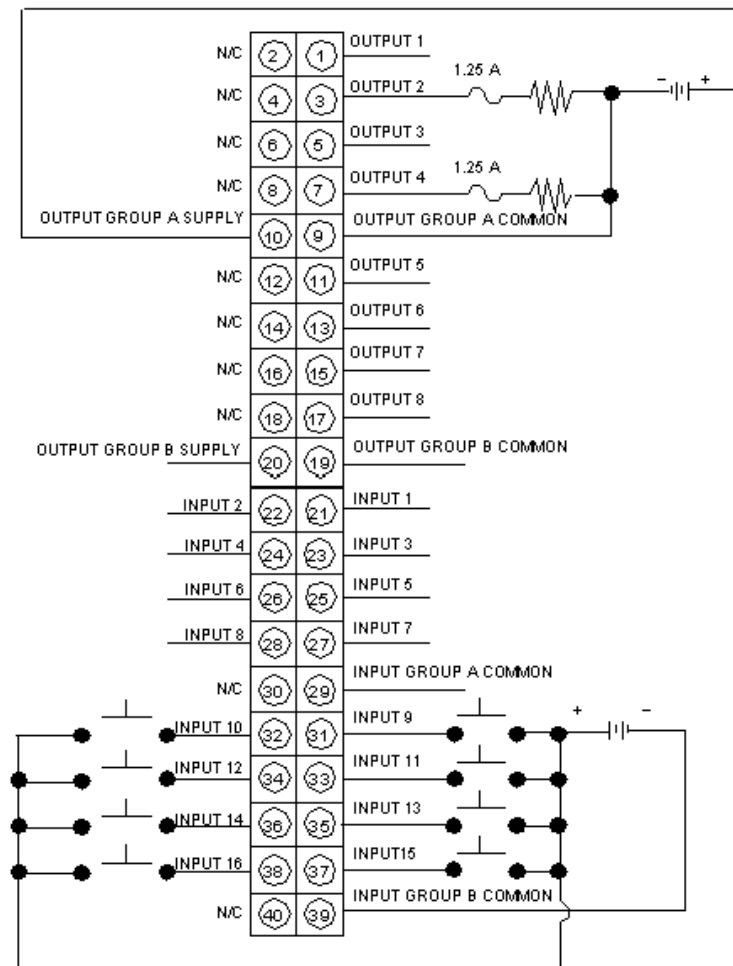
Dimensions of Modules and Racks



- (1) 2 slots
- (2) 3 slots
- (3) 4 slots
- (4) 6 slots
- (5) 10 slots
- (6) 16 slots

24 Vdc Discrete Input Sink/Output Source Module

Wiring Diagram



N/C Not Connected